

The background of the entire page is a detailed technical drawing of a mechanical component, possibly a filter housing. It features various lines, circles, and dimension lines. Overlaid on this drawing are several drafting tools: a yellow pencil, a pair of silver compasses, and a silver pen nib. The drawing includes dimensions such as 15, 55, 17 ± 0.2\*, 2.5, Φ 108, and Φ 114. A surface texture symbol is also present, indicating a roughness of 0.05 A.

# STF

FILTROS

Filtration Systems.

17 ± 0.2\* TECHNICAL CATALOGUE 15

0,05 A

Φ 108

Φ 114



**VICENTE CANALES**  
GRUPO INDUSTRIAL



# Table of contents



## Self-cleaning Screen Filters

3

FMA 1000 hydraulic series  
FMA 3000 hydraulic series

FMA 1000 E electric series  
FMA 2000 electric series  
FMA 5000 electric series  
FMA 9000 electric series  
FMA 10000 electric series

FMA 6000 Debris filter series



## Sand Filters

27

## Disc Filters

33

## Metallic Filters

41

Y Pattern steel filters  
Y Pattern steel filters with manual brush  
Y Pattern steel filters with cyclone effect  
L Pattern steel filters



## Strainers

49

Y Pattern  
L Pattern  
X Pattern  
Self-dismantling

## Centrifugal Separators (Hydrocyclons)

57



## Pivot Filters

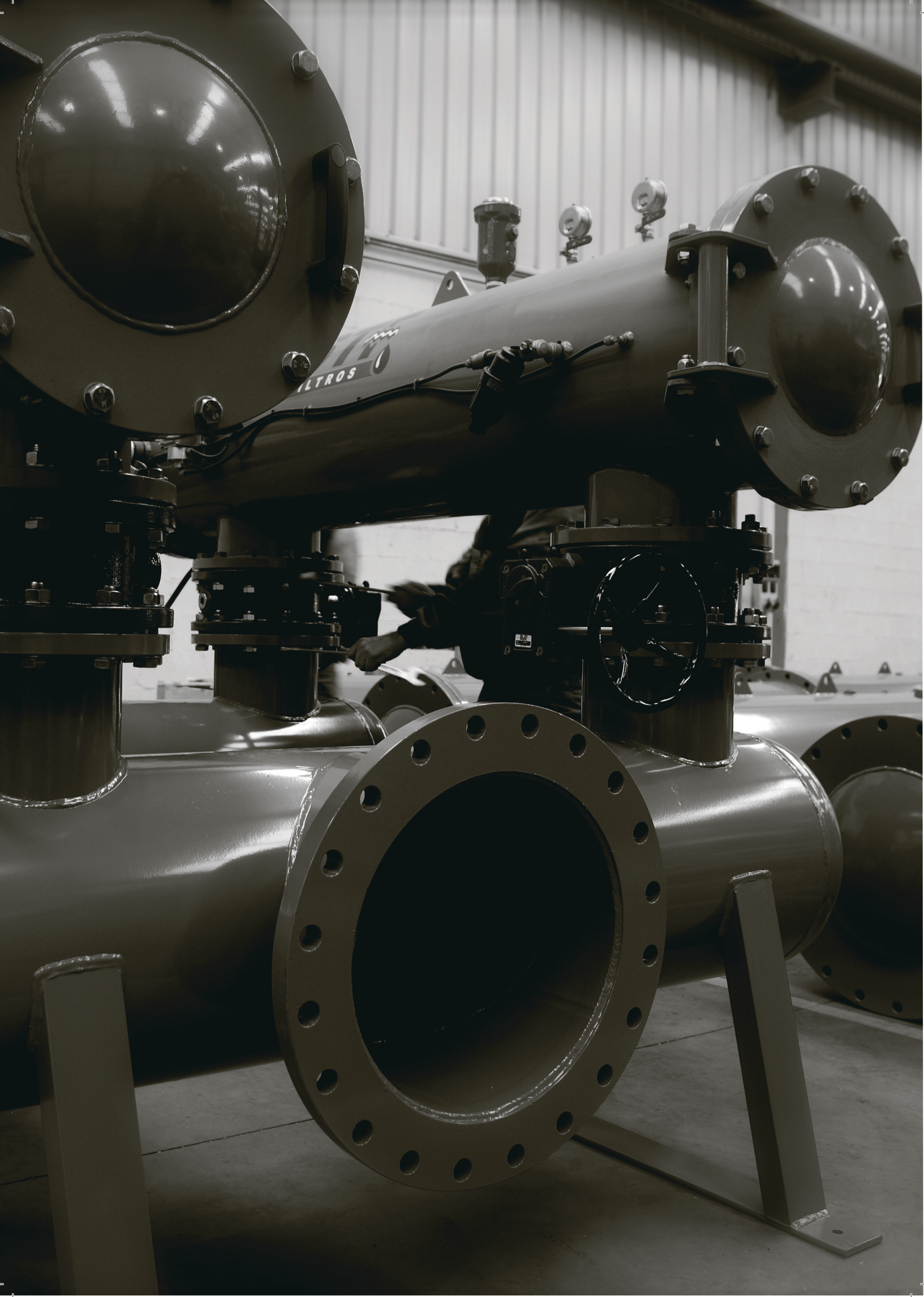
58

## Self-cleaning Suction Strainers

59

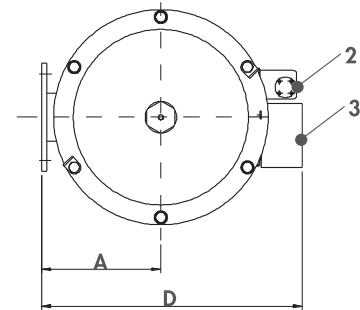
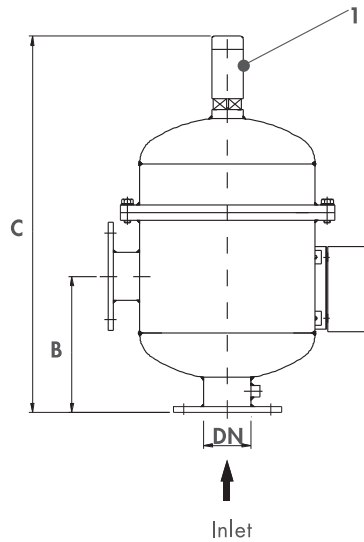
## Spare parts

60



# HYDRAULIC SELF-CLEANING SCREEN FILTERS

## Hydraulic self-cleaning screen filter FMA 1000



- Hydraulic Piston 1
- Solenoid 2
- Programmer 3

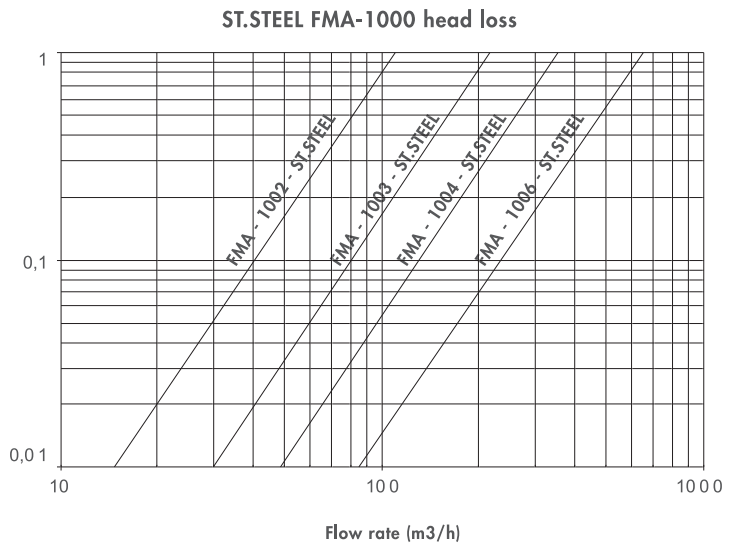
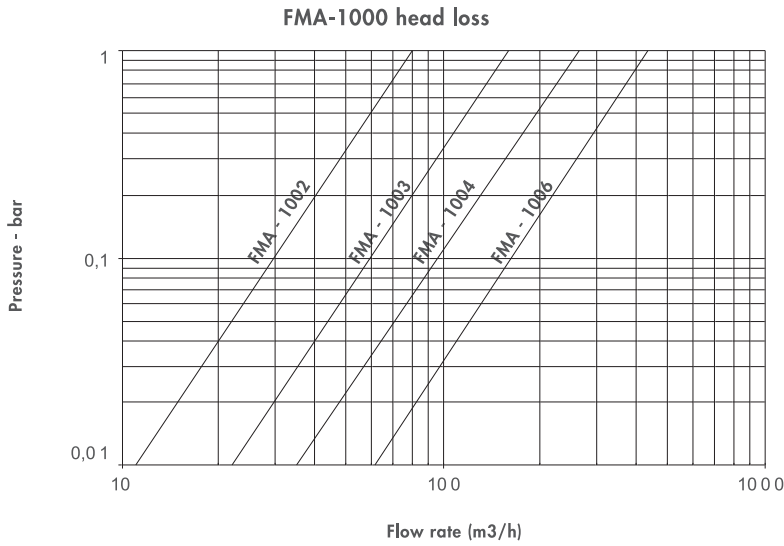
Model	Dimensions (mm)					Filtering surface (cm <sup>2</sup> )		Backwashing water consumption (l)	Weight (kg.)
	A	B	C	D	DN	PVC	ST.STEEL		
FMA-1002	220	220	600	480	50	910	1000	5	35
FMA-1003	220	250	690	480	80	1600	1760	12,5	45
FMA-1004	260	320	800	570	100	2400	2650	15,5	60
FMA-1006	260	470	1075	570	150	4800	5300	53	81

PVC Model	Flow rate (m <sup>3</sup> /h)			
	Max. flow rate	High Quality	Medium Quality	Low Quality
FMA-1002	50	25	18	10
FMA-1003	90	50	30	20
FMA-1004	150	70	50	25
FMA-1006	280	90	70	50

ST.STEEL Model	Flow rate (m <sup>3</sup> /h)			
	Max. flow rate	High Quality	Medium Quality	Low Quality
FMA-1002	70	30	25	15
FMA-1003	140	60	40	20
FMA-1004	200	80	55	30
FMA-1006	350	120	100	70

Note: Values for 125 microns.  
Other filtration degrees available on demand.

# FMA 1000 head loss



Note: Values for 125 microns.

## Standard technical data

- Manufacturing materials:
  - \_ Carbon steel housing
  - \_ Joints and bolts bichromate quality 5.6 and 5.8
  - \_ AISI-316 stainless steel screens
  - \_ PVC and stainless steel filtering cartridge.
- Surface treatment:
  - \_ Surface blasting up to degree SA 2 1/2
  - \_ EPOXI-POLYESTER powder coating
- Battery programmer
- Minimum working pressure: 2,5 bar
- Maximum working pressure: 10 bar
- Filtration degrees: 125, 500, 1000 microns (if others ask STF-Filtros)

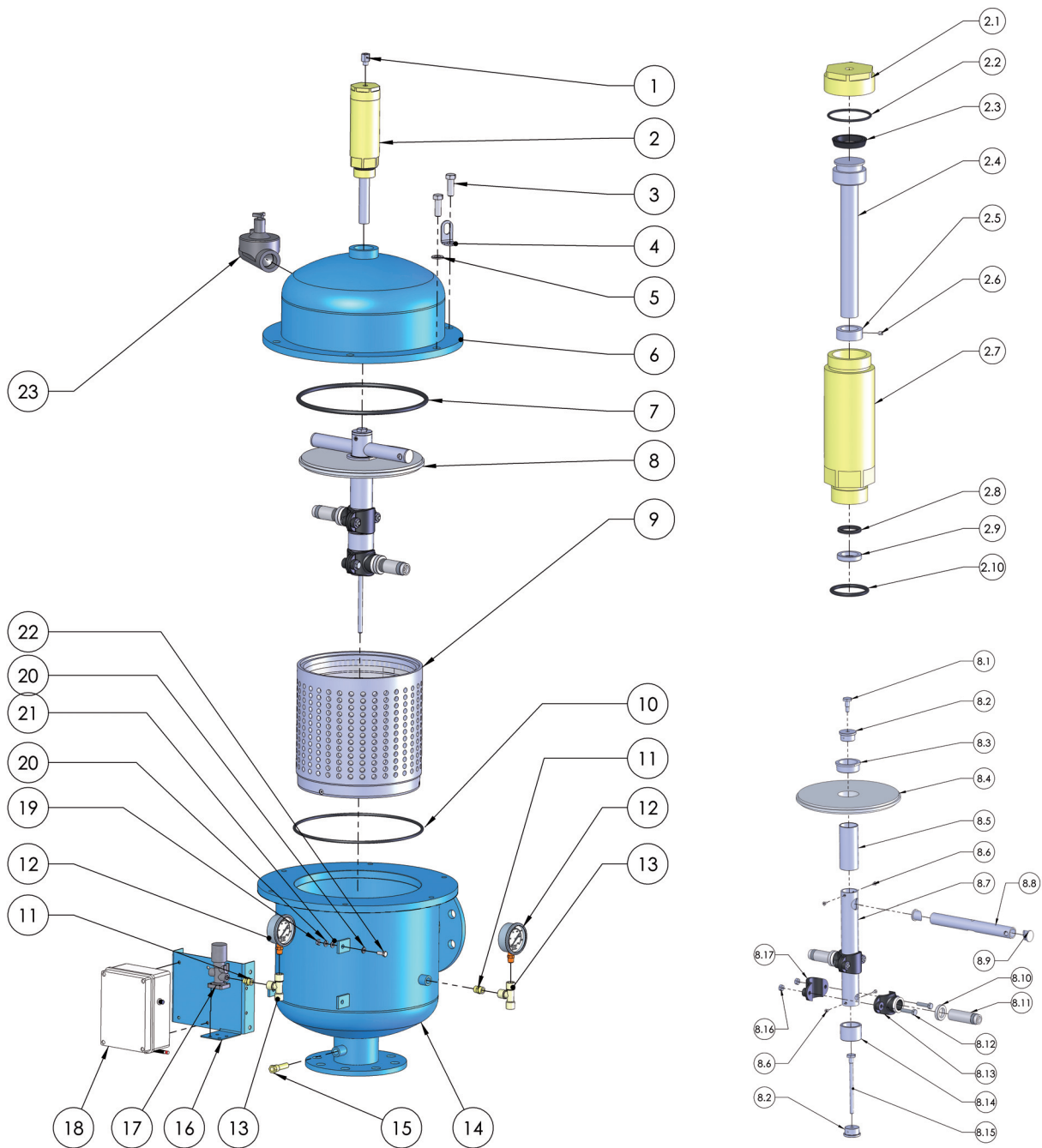
Note: Other non-standard specifications on demand.



# Spare parts list

Nozzles with nylon brushes	(code. 1000.042/043/044)	<b>8.11</b>
1/4" male gas glycerine pressure gauge	(code. 1000.067)	<b>12</b>
Solenoid	(code. 1000.075/076)	<b>17</b>
Ø 245x8 (mod. 1002 y 1003) O-ring	(code. 1000.021)	<b>7</b>
Ø 312x8 (mod. 1004 y 1006) O-ring	(code. 1000.022)	<b>7</b>
Ø 248x5 (mod. 1002 y 1003) O-ring	(code. 1000.064)	<b>10</b>
Ø 315x5 (mod. 1004 y 1006) O-ring	(code. 1000.065)	<b>10</b>
Ni-150 20x28x5,5 seal joint	(code. 1000.014)	<b>2.9</b>
EQ-16 quadric joint	(code. 1000.013)	<b>2.8</b>
NAP-300 40x30x7 seal joint	(code. 1000.006)	<b>2.3</b>
Ø 37x4 O-ring	(code. 1000.015)	<b>2.10</b>
Ø 46x2,5 O-ring	(code. 1000.005)	<b>22</b>

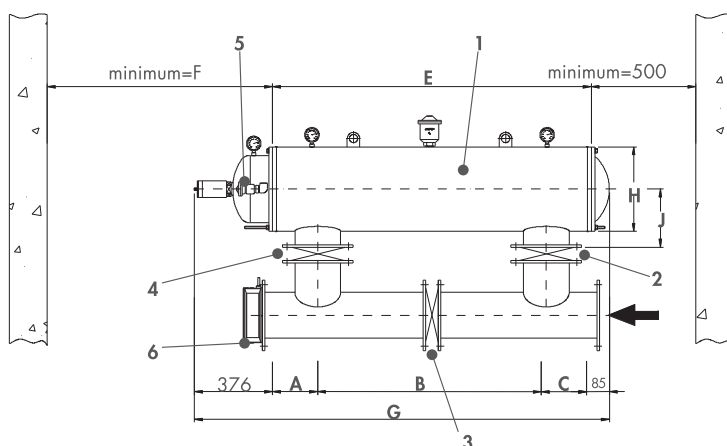
Note: For more information about spare parts and hydraulic layout , please, visit STF-Filtros web page: [www.stf-filtros.com](http://www.stf-filtros.com)



# Hydraulic self-cleaning screen filter FMA 3000



- Automatic filter Series 3000 1
- Butterfly valve inlet 2
- By-Pass valve (optional) 3
- Butterfly valve outlet 4
- Backwashing valve 2" 5
- Check valve (optional) 6



Model	In/Out Connect.	Dimensions (mm)								PVC filtering surface (cm <sup>2</sup> )	St. Steel filtering surface (cm <sup>2</sup> )	Backwashing water consumption (l)	Weight (kg.)
		A	B	C	DN	F	G	H	J				
FMA-3003	3"	166	360	185	80	690	1172	406	280	2.450	2.450	25	60
FMA-3004	4"	108	770	108	100	690	1447	406	280	4.800	4.800	49	75
FMA-3006	6"	130	1000	131	150	970	1722	406	280	7.200	7.200	110	90
FMA-3008	8"	218	1100	218	200	1240	1997	406	280	9.600	9.600	178	131
FMA-3010	10"	220	1370	221	250	1520	2272	406	280	12.000	12.000	238	164

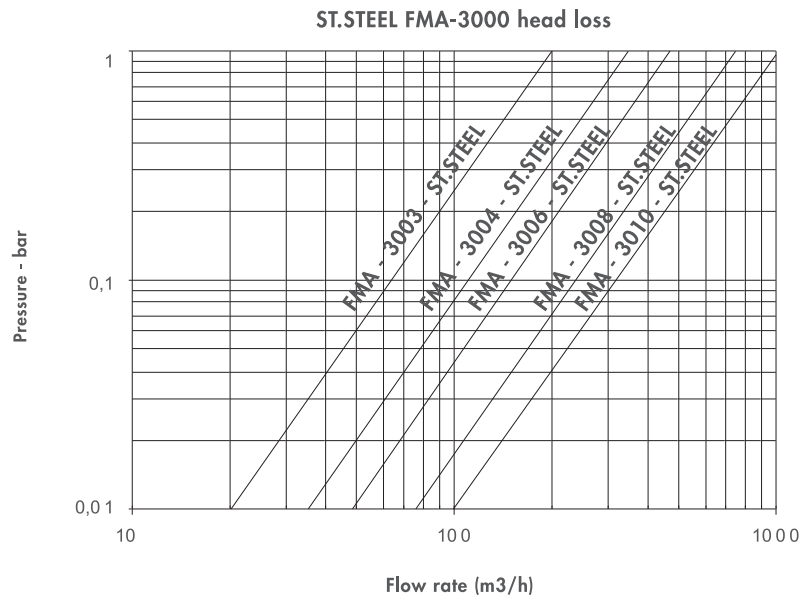
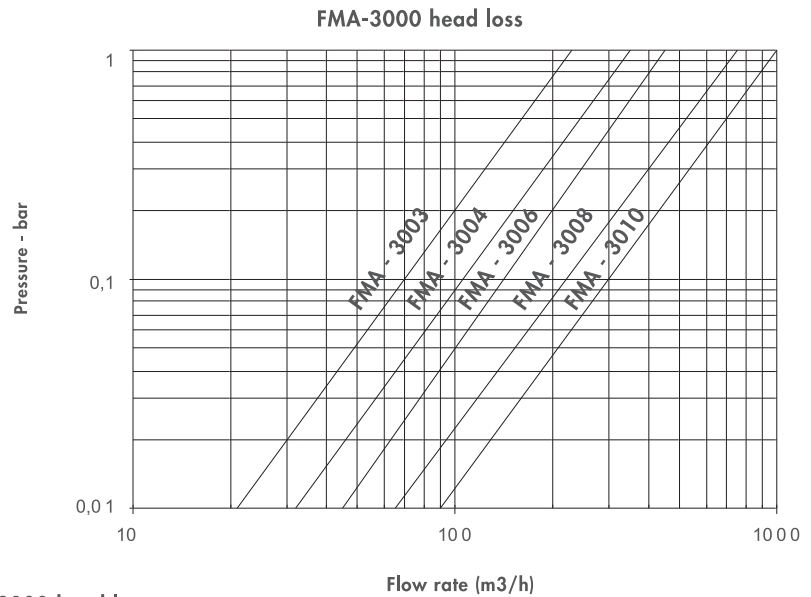
PVC support model	PVC cartridge flow (m <sup>3</sup> /h)			
	Max. flow rate	High Quality	Medium Quality	Low Quality
FMA-3003	110	60	40	30
FMA-3004	180	80	65	50
FMA-3006	250	140	110	80
FMA-3008	400	230	180	130
FMA-3010	550	300	250	180

Stainless Steel support model	St. Steel cartridge flow rate (m <sup>3</sup> /h)			
	Max. flow rate	High Quality	Medium Quality	Low Quality
FMA-3003	110	60	50	40
FMA-3004	200	90	75	60
FMA-3006	270	150	120	90
FMA-3008	410	240	190	140
FMA-3010	580	315	260	190

Note: Values for 125 microns. Other filtration degrees available on demand



## FMA 3000 head loss



Note: Values for 125 microns.

## Standard technical data

- Manufacturing materials:
  - \_ Carbon steel housing (stainless steel option)
  - \_ Joints and bolts bichromate quality 5.6 and 5.8
  - \_ AISI-316 stainless steel screens
  - \_ PVC and stainless steel filtering cartridge support.
- Surface treatment
  - \_ Surface blasting up to degree SA 2 1/2
  - \_ EPOXI-POLYESTER powder coating
- Battery programmer
- Minimum working pressure: 2,5 bar
- Maximum working pressure: 10 bar
- Filtration degrees: 125, 500, 1000 microns (if others ask STF-Filtros)

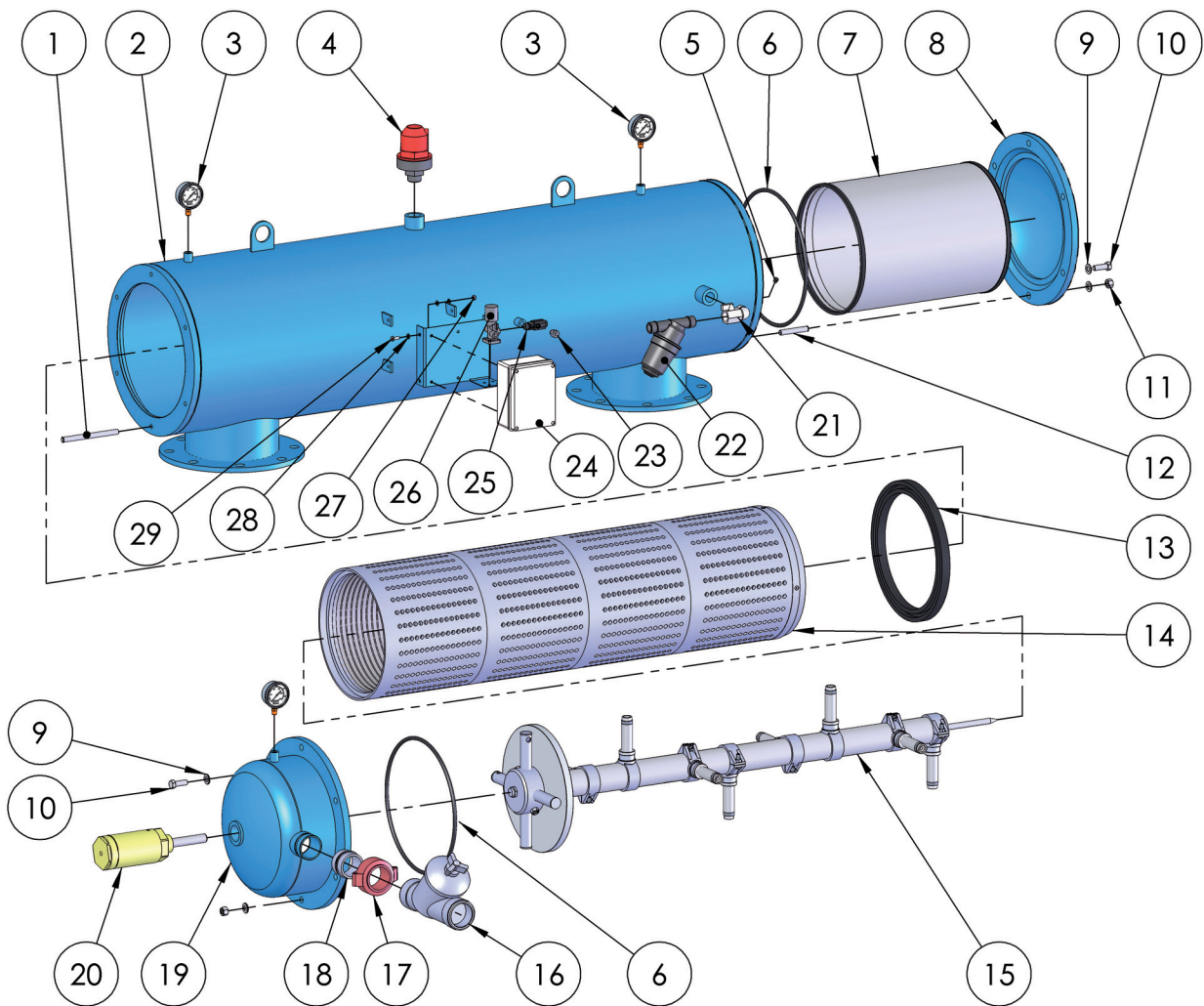
Note: Other non-standard specifications on demand.



## Spare parts list

Nozzles with nylon brushes	(code. 3000.044)	<b>15.13</b>
1/4" male gas glycerine pressure gauge	(code. 3000.006)	<b>3</b>
Solenoid	(code. 3000.071/072)	<b>26</b>
Ø 312x8 (mod. 3004/3006/3008 y 3010) O-ring	(code. 3000.009)	<b>6</b>
Ni-150 20x28x5,5 seal joint	(code. 3000.063)	<b>20.9</b>
EQ-16 quadric joint	(code. 3000.062)	<b>20.8</b>
NAP-300 63x57x7 seal joint	(code. 3000.057)	<b>20.3</b>
Ø 37x4 O-ring	(code. 3000.064)	<b>20.10</b>
Ø 69x2,5 O-ring	(code. 3000.056)	<b>20.2</b>

Note: For more information about spare parts and hydraulic layout , please, visit STF-Filtros web page: [www.stf-filtros.com](http://www.stf-filtros.com)



# Electric self-cleaning screen filters

## FMA 2000 Series Filtration Technology

The separation of solids from a liquid or a gas by means of porous medium or screen which retains the solids and allows the liquid to pass is called filtration. In this case, the liquid will generally be water, and the filtration system will be a stainless steel screen.

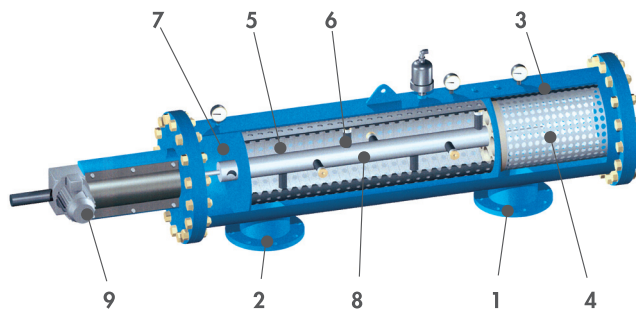
On the other hand, the ideal filter is the one that retains the largest number of particles and never clogs up. However, the ideal filter will be the one that can backwash when needed.

The following filter meets all these characteristics.

## Automatic Screen Filter

### Description

In the filter we can find three perfectly distinct chambers . The first chamber is the prefiltration chamber that coincides with the filter inlet where the screen works as a prefilter.

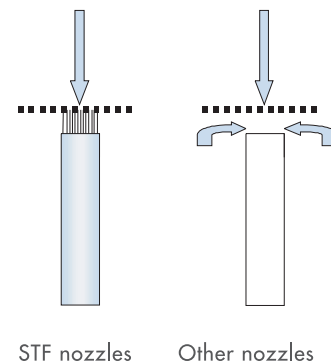
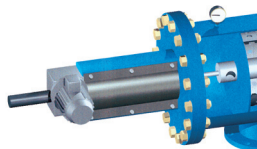


Inlet	1
Outlet	2
Prefiltration chamber	3
Coarse screen	4
Filtration chamber	5
Fine screen	6
Backwashing chamber	7
Scanner	8
Motor drive	9

Once the water is inside this chamber, it is entering in the 2nd chamber, the filtering chamber, where the real filtering element is: THE FILTRATION SCREEN.

In this chamber the water passes through the screen from inwards to outwards. The coarse particles are retained in the filtering screen. This chamber coincides with the outlet for the filtered water for different solutions: Drinking water, cooling water, etc.

These fine particles retained form the filter cake that generates certain head loss. Once the preset value has been reached, triggers the self-cleaning process. When this value is reached, the DP acts on the control panel that commands the opening of the drain valve, which is housed in the cleaning chamber. The backwashing chamber is separated from the filtration by means of a special sealing.



Lastly, as the main element in this technology it is the SUCTION SCANNER. This scanner is in the central axle of the cylinder filter housing, and it is connected to the backwashing chamber. In this suction scanner, the suction nozzles with nylon brushes are housed. The movement of the scanner allows the nozzles to come into contact with the whole filtering surface.

## Filter operation

The water gets in the filter through the prefiltration chamber retaining the coarse particles. Then water goes through the filtering screen outwards, performing the MECHANICAL FILTRATION AT THE SURFACE. High quality filtrated water is obtained according to the screen filtration degrees that range from 10 to 2000 microns.

As it has formerly described, the accumulation of particles generates a differential pressure between both sides of the screen which, once the preset value has been reached, triggers the self-cleaning process. Two analog pressure transducers will trigger the backwashing when a 0,3 bar (3 m.c.a) pressure difference is reached. There are other possibilities to carry out the backwashing: timed backwashings, time and pressure combinations and the continuous backwashing option.

When the pressure transducer indicates 0,3 bar, the drain valve opens what generates a pressure difference between the outside (at atmospheric pressure) and the inside of the filter ( working pressure). This speeds water flow that passes through the screen outwards through the nozzles inner hole. Besides this, at this precise moment the motor starts working. The result is the the helical motion of the suction scanner that allows the nozzles to come into contact with the whole filtering surface, thus leaving the cartridge completely clean at the end of the backwashing cycle.

During the backwashing process that lasts 25 seconds, the water is still being filtered and flows towards the application system. This filter design allows an important saving in the amount of water used in cleaning the filter and also assures continuous working.

## FMA equipments manufacturing general data

### Manufacturing materials:

- \_ Carbon steel housing
- \_ Joints and bolts bichromate quality 5.6 and 5.8
- \_ AISI-316 stainless steel screens
- \_ PVC or stainless steel filtering cartridge.

### Surface treatment:

- \_ Surface blasting up to degree SA 2 1/2
- \_ Epoxy-polyester powder coating

Minimum working pressure: 2 bar  
Maximum working pressure: 10 bar  
Filtration degrees: 80, 125, 200, 500, 1000 microns

### Electrical data:

- \_ Operating voltage: Alternating– single-phase (220V 50 Hz)
- \_ Control voltage: 24V DC
- \_ Electrical motor: 1/2 CV (220V/400V)

### Manufacturing options:

- \_ AISI 304/ AISI 316 stainless steel housing
- \_ Stainless steel joints and bolts
- \_ SMO 254 stainless steel screens
- \_ Stainless steel 316 / Duplex / Superduplex filtering cartridge

### Surface treatment:

- \_ Surface blasting up to degree SA 2 1/2
- \_ Inside anticorrosive coating suitable for sea water and external treatment suitable for sea environment
- \_ Filtration degrees: 10, 20, 25, 50 microns

NOTE: Inside rubber lined coating only for FMA 9000 and FMA 10000 models.

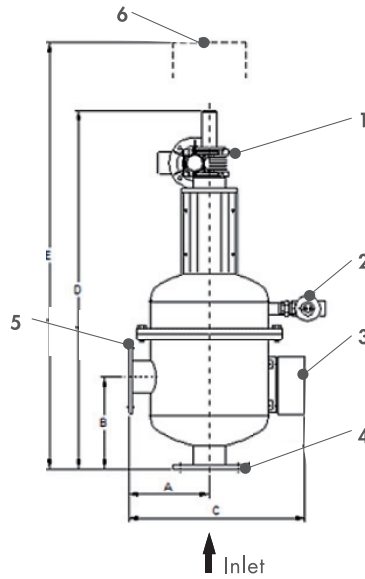
Maximum working pressure: 16 - 25 bar

### Electrical data:

- \_ Operating voltage: Alternating – Three-phase (400V 50 Hz) / Continuous – (12 V DC)
- \_ Control voltage: 24V DC / 12 V DC
- \_ Electrical motor: 1/3 CV (12 V DC)
- \_ Optional electrical components with ATEX certificate



# Electric self-cleaning screen filter FMA 1000 E



- 1 Electrical motor
- 2 Drain valve
- 3 Programmer
- 4 Inlet
- 5 Outlet
- 6 Maintenance area

Model	Dimensions (mm)					Filtering surface (cm <sup>2</sup> )		Backwashing water consumption (l)		Weight (kg.)	
	A	B	C	D	E	PVC	ST.STEEL	PVC	ST.STEEL	PVC	ST.STEEL
FMA-1002-E	220	220	480	900	1150	910	1000	8	8	40	42
FMA-1003-E	220	250	480	980	1230	1600	1760	12,5	12,5	45	52
FMA-1004-E	260	320	590	1100	1340	2400	2650	15,5	15,5	60	67
FMA-1006-E	260	470	590	1375	1615	4800	5300	53	53	86	88

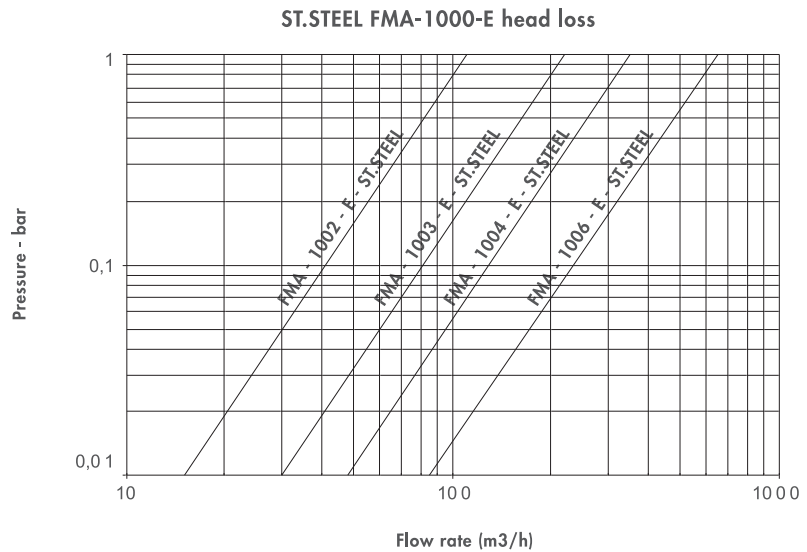
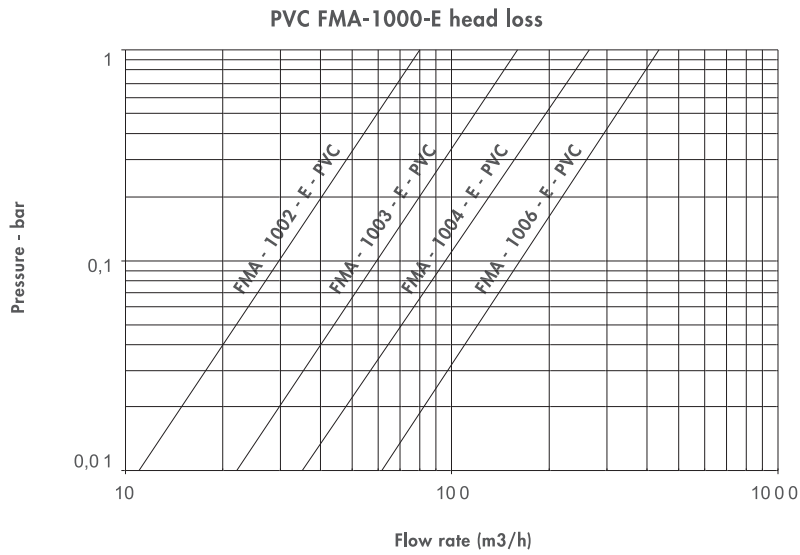
PVC Model	Flow rate (m <sup>3</sup> /h)			
	Max. flow rate	High Quality	Medium Quality	Low Quality
FMA-1002-E	50	30	20	10
FMA-1003-E	90	55	35	20
FMA-1004-E	150	75	55	30
FMA-1006-E	280	100	75	50

ST.STEEL Model	Flow rate (m <sup>3</sup> /h)			
	Max. flow rate	High Quality	Medium Quality	Low Quality
FMA-1002-E	70	35	25	10
FMA-1003-E	140	60	40	20
FMA-1004-E	200	80	60	30
FMA-1006-E	350	120	100	60

Note: Values for 125 microns. Other filtration degrees available on demand



## FMA 1000 E head loss



Note: Values for 125 microns.  
Note: Ask STF-Filtros for other filter combinations.

## Standard technical data

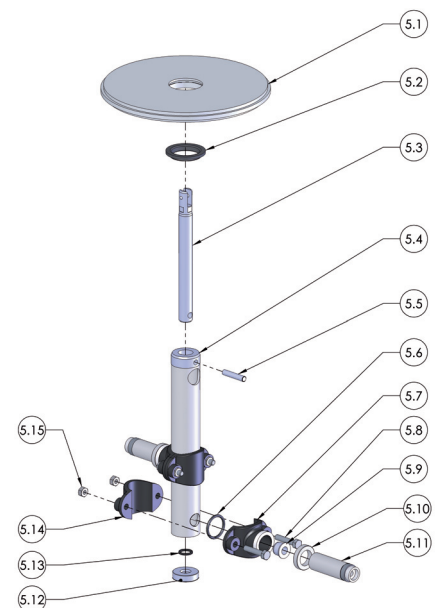
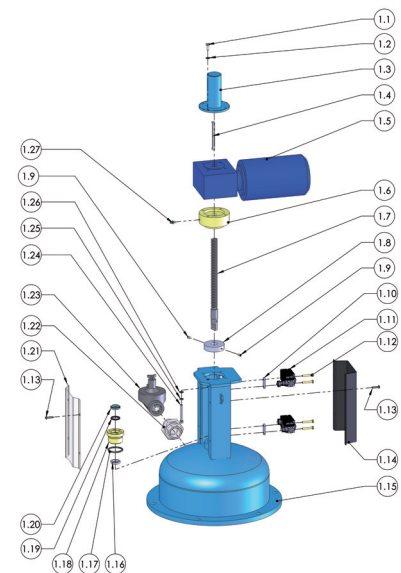
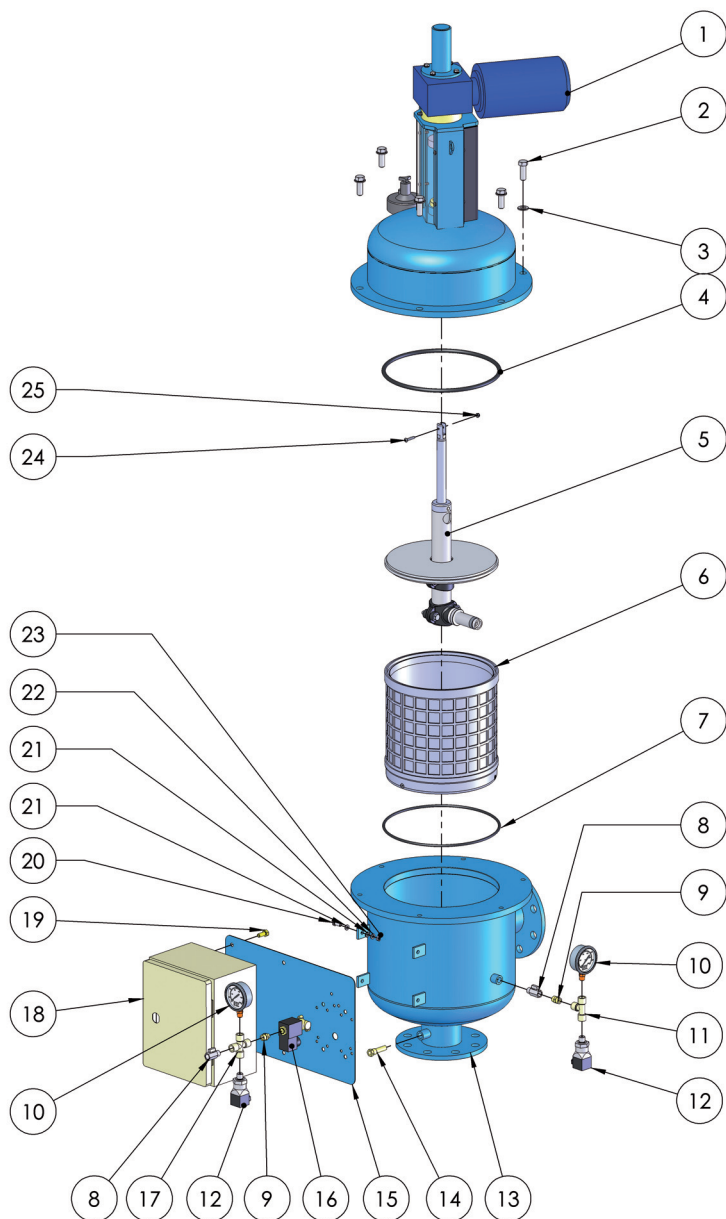
- Manufacturing materials:
  - \_ Carbon steel housing (stainless steel option)
  - \_ Joints and bolts bichromate quality 5.6 and 5.8
  - \_ AISI-316 stainless steel screens
  - \_ PVC or stainless steel cartridge
- Surface treatment:
  - \_ Surface blasting up to degree SA 2 1/2
  - \_ EPOXI-POLYESTER powder coating
- Minimum working pressure: 2 bar
- Maximum working pressure: 10 bar (if others ask STF-Filtros)
- Filtration degrees: 125, 500, 1000 microns (if others ask STF-Filtros)
- Electrical data:
  - \_ Operating voltage: A C: single-phase (220V 50 Hz.)
  - \_ Control voltage: 24V DV
  - \_ Electrical motor: 1/3 HP (220V)

Note: Other non-standard specifications on demand.

## Spare parts list

Nozzles with nylon brushes	(code. 1000-E.047/048/049)	<b>5.11</b>
Omron limit switch with pullier	(code. 1000-E.011)	<b>1.11</b>
1/4" gas male glycerine pressure gauge	(code. 1000-E.074)	<b>10</b>
1/4" gas male pressure transducer	(code. 1000-E.076)	<b>12</b>
Solenoid	(code. 1000-E.083)	<b>16</b>
Ø 245x8 (mod. 1002 y 1003) O-ring	(code. 1000-E.031)	<b>4</b>
Ø 312x8 (mod. 1004 y 1006) O-ring	(code. 1000-E.032)	<b>4</b>
Ø 248x5 (mod. 1002 y 1003) O-ring	(code. 1000-E.070)	<b>7</b>
Ø 315x5 (mod. 1004 y 1006) O-ring	(code. 1000-E.071)	<b>7</b>
EQ-12 quadric joint	(code. 1000-E.051)	<b>5.13</b>
H seal joint without spring	(code. 1000-E.035)	<b>5.2</b>
Ni-150 20x28x5,5 seal joint	(code. 1000-E.017)	<b>1.16</b>
EQ-16 O-ring	(code. 1000-E.020)	<b>1.19</b>
AUASOB 20x28x4,8/7 scraper	(code. 1000-E.021)	<b>1.20</b>
Ø 37x4 O-ring	(code. 1000-E.018)	<b>1.17</b>

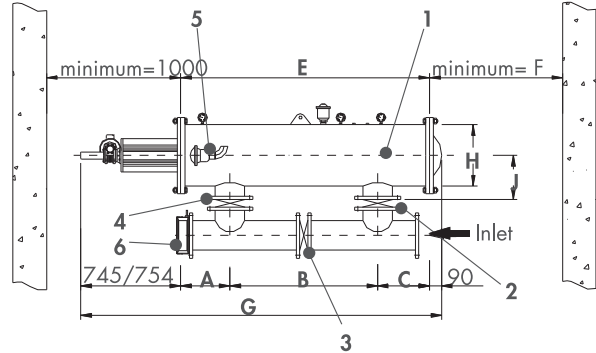
Note: For more information about spare parts and hydraulic layout , please, visit STF-Filtros web page: [www.stf-filtros.com](http://www.stf-filtros.com)



# Electric self-cleaning screen filter FMA 2000



- 1 Automatic filter Series 2000
- 2 Butterfly valve inlet
- 3 By-Pass valve
- 4 Butterfly valve outlet
- 5 Backwashing valve 2"
- 6 Check valve (optional)



PVC support model	In/Out Connect.	Dimensions (mm)									Filtering surface (cm <sup>2</sup> )	Backwashing water consumption (l)	Weight (kg.)
		A	B	C	DN	E	F	G	H	J			
FMA-2003	3"	302	360	219	80	881	400	1625	457	325	2.450	35	245
FMA-2004	4"	314	770	220	100	1305	690	2140	457	325	4.900	70	280
FMA-2006	6"	340	1000	240	150	1580	970	2415	457	325	7.350	105	340
FMA-2008	8"	367	1100	388	200	1855	1240	2690	457	325	9.800	140	390
FMA-2010	10"	419	1370	341	250	2130	1520	2965	457	325	12.250	175	430
FMA-2012	12"	430	1100	325	300	1855	1240	2690	660	450	16.100	140	595
FMA-2014	14"	433	1370	327	350	2130	1520	2965	660	450	20.100	175	668

ST.STEEL support model	In/Out Connect.	Dimensions (mm)									Filtering surface (cm <sup>2</sup> )	Backwashing water consumption (l)	Weight (kg.)
		A	B	C	DN	E	F	G	H	J			
FMA-2003	3"	302	360	219	80	881	400	1625	457	325	2.650	35	261
FMA-2004	4"	315	770	220	100	1305	690	2140	457	325	5.380	70	304
FMA-2006	6"	340	1000	240	150	1580	970	2415	457	325	7.990	105	382
FMA-2008	8"	367	1100	388	200	1855	1240	2690	457	325	10.600	140	439
FMA-2010	10"	446	1370	314	250	2130	1520	2965	457	325	13.210	175	495
FMA-2012	12"	430	1100	325	300	1855	1240	2707	660	450	16.500	140	675
FMA-2014	14"	433	1370	327	350	2130	1520	2982	660	450	21.300	175	753

PVC Model	Flow rate (m <sup>3</sup> /h)			
	Max. flow rate	High Quality	Medium Quality	Low Quality
FMA-2003	75	45	35	25
FMA-2004	150	80	65	50
FMA-2006	290	150	120	90
FMA-2008	450	250	200	150
FMA-2010	800	400	320	240
FMA-2012	920	500	400	300
FMA-2014	1250	600	480	360

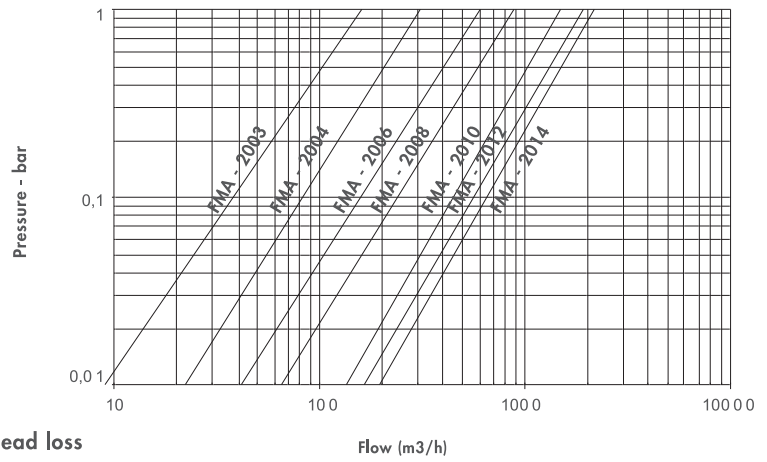
ST.STEEL Model	Flow rate (m <sup>3</sup> /h)			
	Max. flow rate	High Quality	Medium Quality	Low Quality
FMA-2003	120	60	48	34
FMA-2004	235	110	90	70
FMA-2006	500	215	173	129
FMA-2008	700	320	256	192
FMA-2010	1150	580	464	348
FMA-2012	1400	700	560	420
FMA-2014	1800	900	720	540

Note: Values for 125 microns.  
Other filtration degrees available on demand.

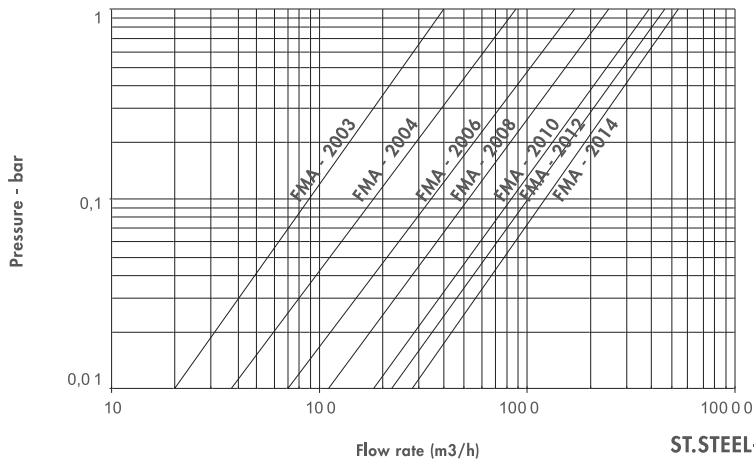


# FMA 2000 head loss

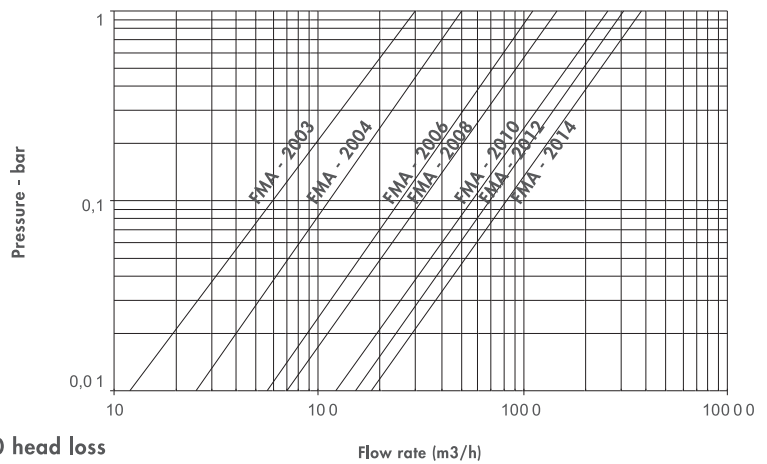
PVC-125 microns FMA-2000 head loss



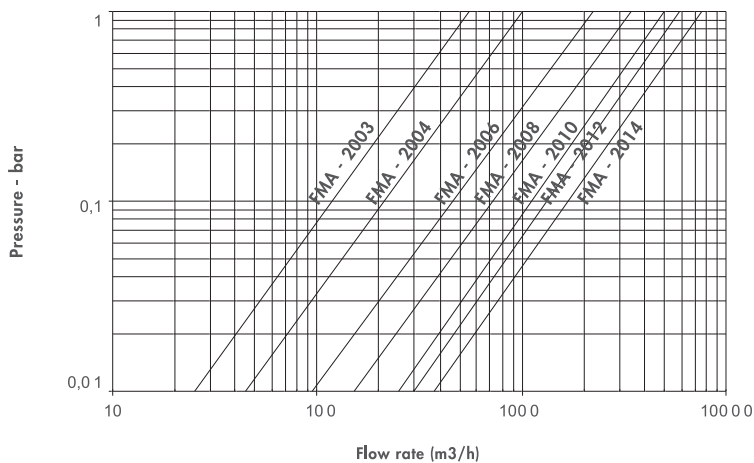
PVC-1500 microns FMA-2000 head loss



ST.STEEL-125 microns FMA-2000 head loss



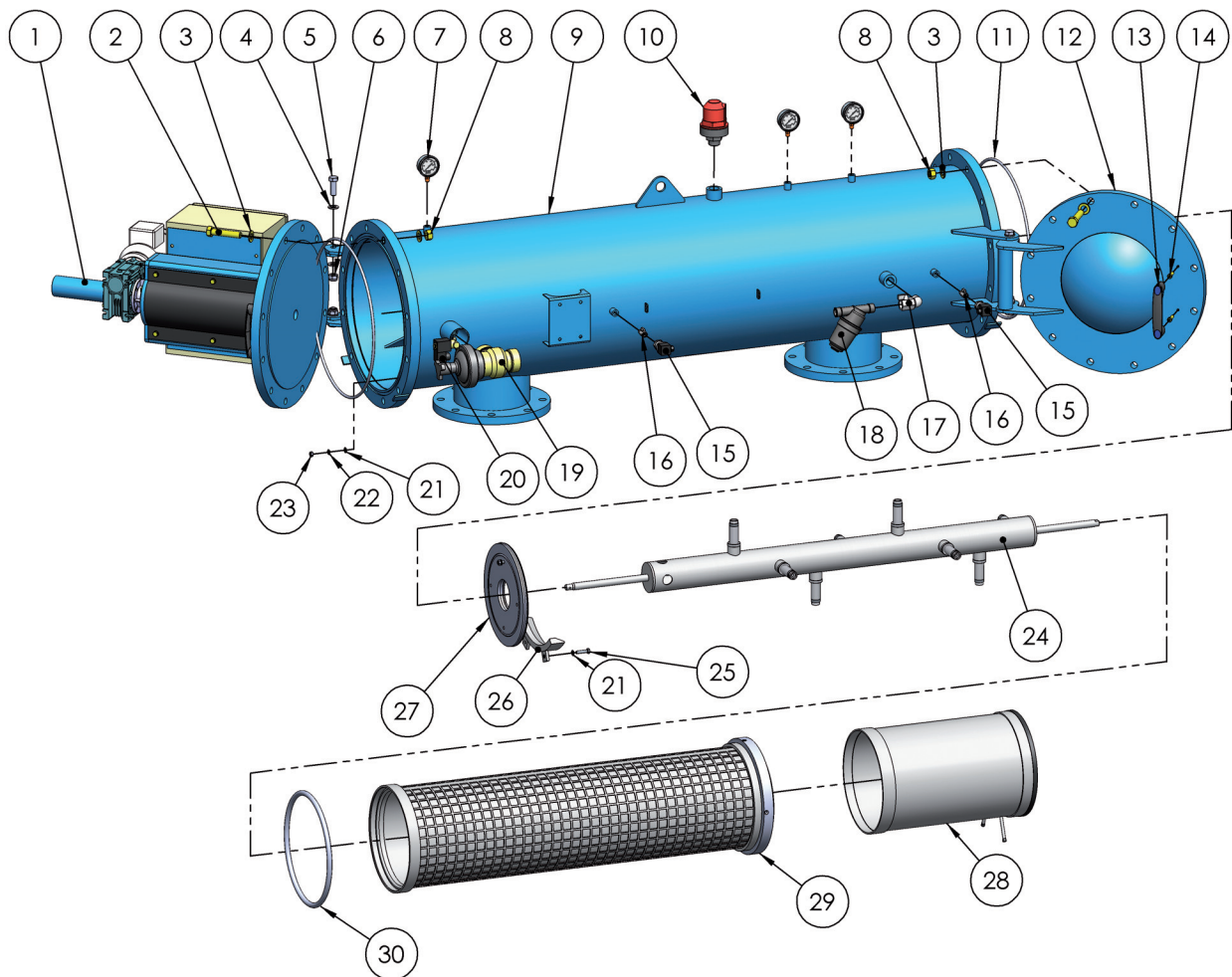
ST.STEEL-1500 microns FMA-2000 head loss

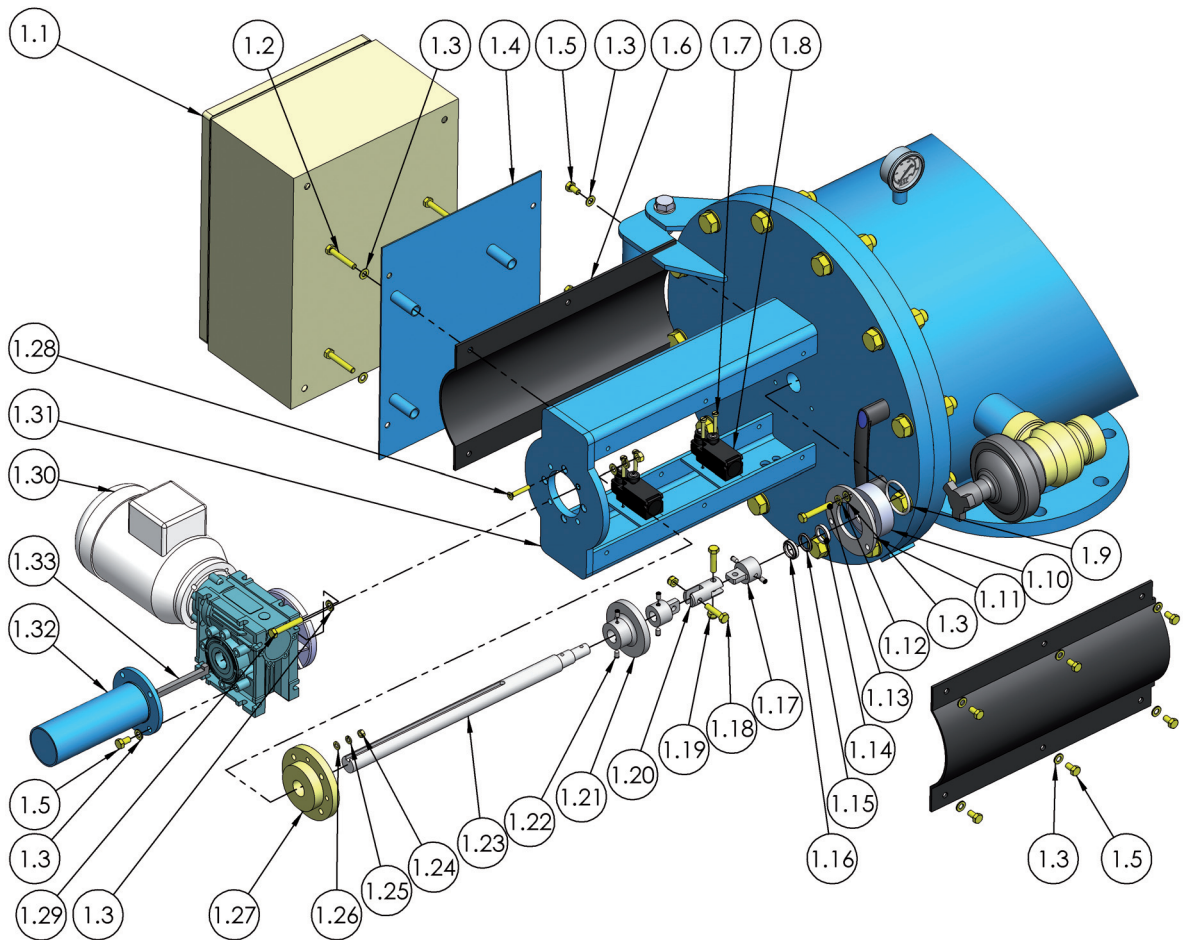
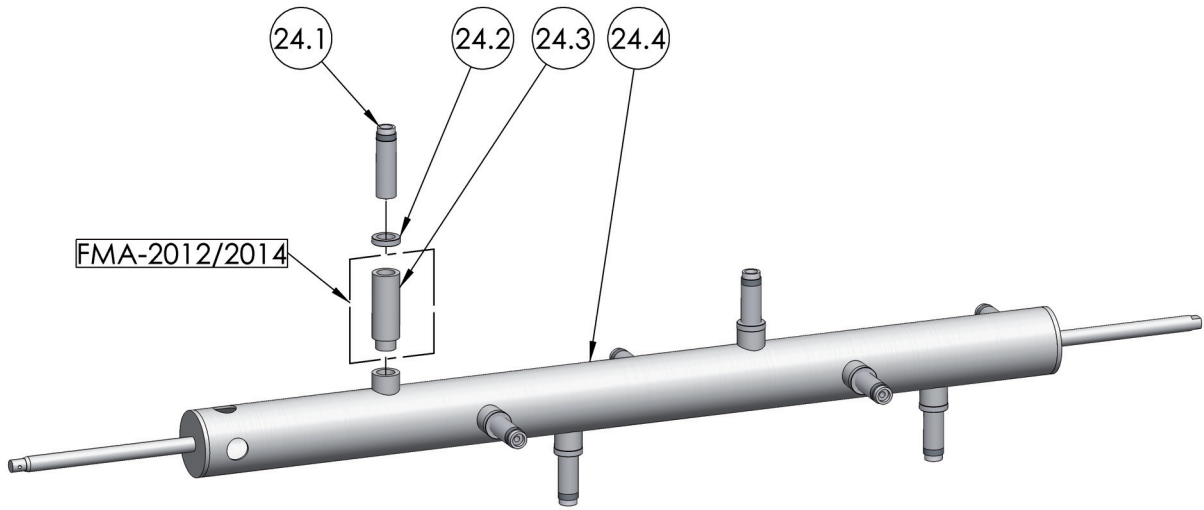


## Spare parts list

Nozzles with nylon brushes	(Code 2000.077)	<b>24.1</b>
Omron limit switch with pullier	(Code 2000.015)	<b>1.8</b>
1/4" gas male glycerine pressure gauge	(Code 2000.050)	<b>7</b>
1/4" gas male pressure transducer	(Code 2000.068)	<b>15</b>
Solenoid	(Code 2000.073)	<b>20</b>
Ø 456x6,99 (mod. 2003/2004/2006/2008 and 2010) O-ring	(Code 2000.061)	<b>11</b>
Ø 633x6,99 (mod. 2012 y 2014) O-ring	(Code 2000.062)	<b>11</b>
Ø 660x8 (mod. 2012 y 2014) O-ring	(Code 2000.063)	<b>11</b>
Ø 314x14 (mod. 2003/2004/2006/2008 and 2010) O-ring	(Code 2000.132)	<b>30</b>
Ø 498x14 (mod. 2012 y 2014) O-ring	(Code 2000.133)	<b>30</b>
Ø 230x5 (in all the models) O-ring	(Code 2000.099)	<b>27.4</b>
Ø 291,47x5,33 (mod. 2003/2004/2006/2008 and 2010) O-ring	(Code 2000.102)	<b>27.6</b>
Ø 468x6,99 (mod. 1012 y 1014) O-ring	(Code 2000.103)	<b>27.6</b>
H seal joint	(Code 2000.105)	<b>27.8</b>
Ni-150 20x28x5,5 seal joint	(Code 2000.021)	<b>1.14</b>
EQ-16 quadric joint	(Code 2000.022)	<b>1.15</b>
AUASOB 20x28x4,8/7 scraper	(Code 2000.023)	<b>1.16</b>
Ø 45x4 O-ring	(Code 2000.016)	<b>1.9</b>

Note: For more information about spare parts and hydraulic layout , please, visit STF-Filtros web page: [www.stf-filtros.com](http://www.stf-filtros.com)





## Standard technical data

- Working pressure (min./max.)  
2-10 bar  
Other options: PN 16; PN25
- Time of the backwash cycle  
25 sec.
- Maximum water temperature  
50°C
- Filter housing  
\*Carbon steel housing with Epoxy - Polyester finish  
\*Other options: 304, 316, 316L ST. STEEL and inside coating suitable for sea water
- Screens  
AISI 316 stainless steel
- Backwashing valve  
2"
- Seal joints  
NBR
- Standard filtration degrees \*

microns	1000	800	500	300	200	125	100	75	63	34	20
mm	1	0.8	0.5	0.3	0.2	0.12	0.1	0.07	0.06	0.03	0.02
mesh	10	20	30	50	75	120	155	220	300	400	600

\*Note: Data show nominal filtration.

Note: Other non-standard specifications on demand.

## Electrical data

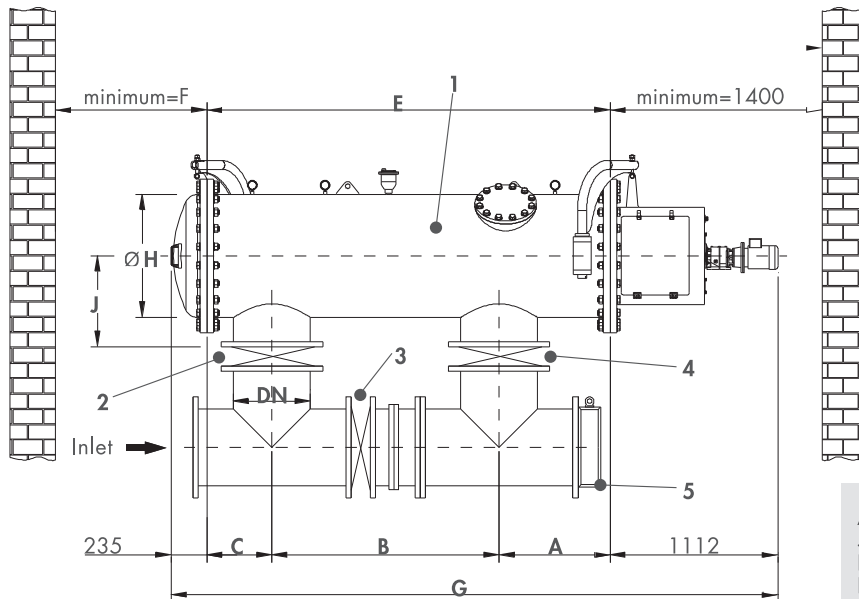
- Operating voltage  
A.C: Single-phase (220V 50hz)  
D.C: 12V (optional)
- Control voltage  
24V DC / 12V DC (optional)
- Electrical motor  
1/2 HP (220V) / 1/3 HP (12V) (optional)

## Advantages

- High reliability
- Reduced space
- Nozzles with nylon brushes
- Lower assembly costs
- Easy manufacturing
- Continuous filtration, non-stops for backwashing
- Easy maintenance
- Long durability
- Extensive filtering surface



# Electric self-cleaning screen filter FMA 5000

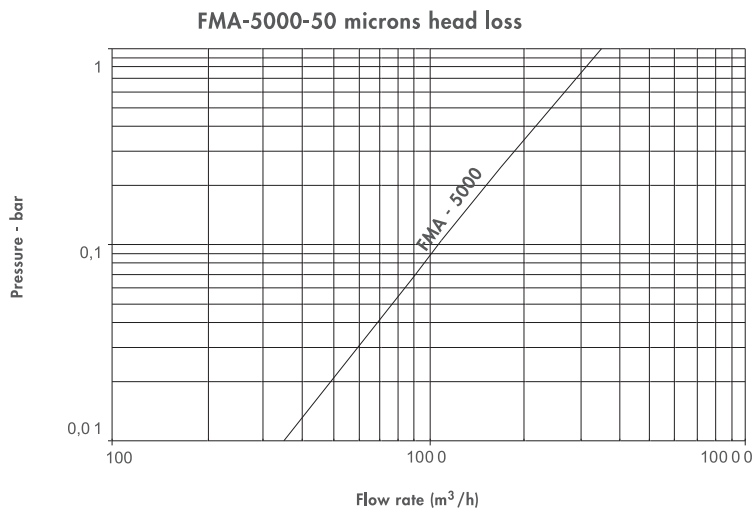
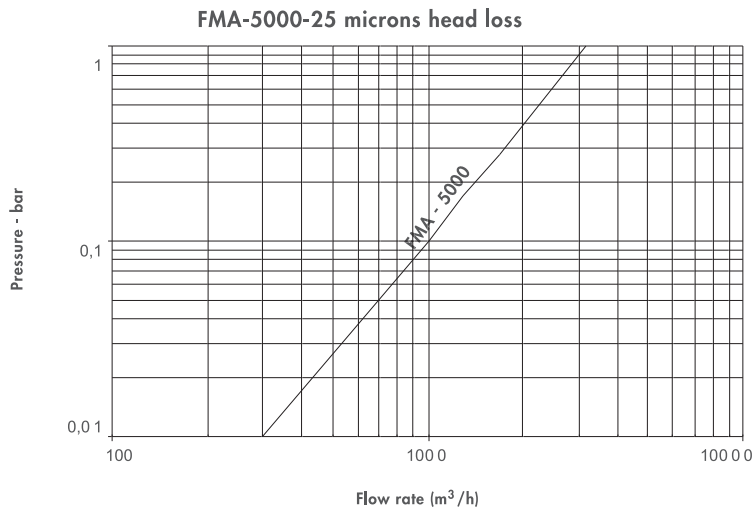


- 1 Automatic screen filter Series 5000
- 2 Butterfly valve inlet
- 3 By-pass valve
- 4 Butterfly valve outlet
- 5 Check valve

Model	Dimensions (mm)									Filtering surface (cm <sup>2</sup> )	Weight (kg.)
	A	B	C	DN	E	F	G	H	J		
FMA-5020	733	1500	430	500	2663	1400	4010	812	600	55.000	1810

Model	Filtration degree	Max. flow	Flow rate (m <sup>3</sup> /h)		
			High Quality	Medium Quality	Low Quality
FMA-5020	50 microns	2000	1250	1000	800
	25 microns	1800	750	500	300

## FMA 5000 head loss

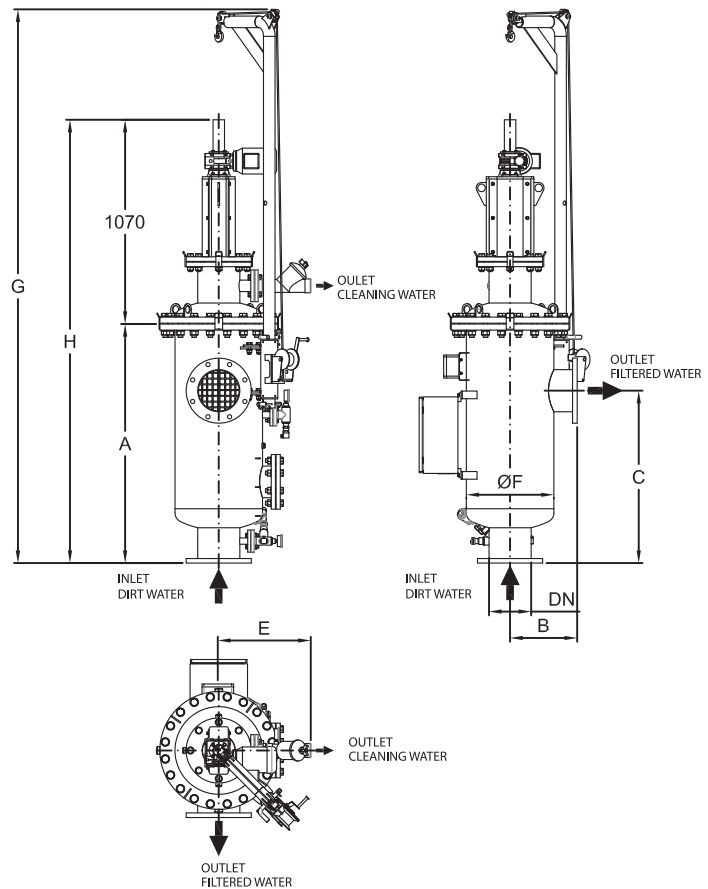


## Standard technical data

- Manufacturing materials:
  - \_ Carbon steel housing
  - \_ Joints and bolts bichromate quality 5.6 and 5.8
  - \_ AISI-316 stainless steel screens
  - \_ Stainless steel cartridge
- Surface treatment:
  - \_ Surface blasting up to degree SA 2 1/2
  - \_ EPOXI-POLYESTER powder coating

Note: Other non-standard specifications on demand.

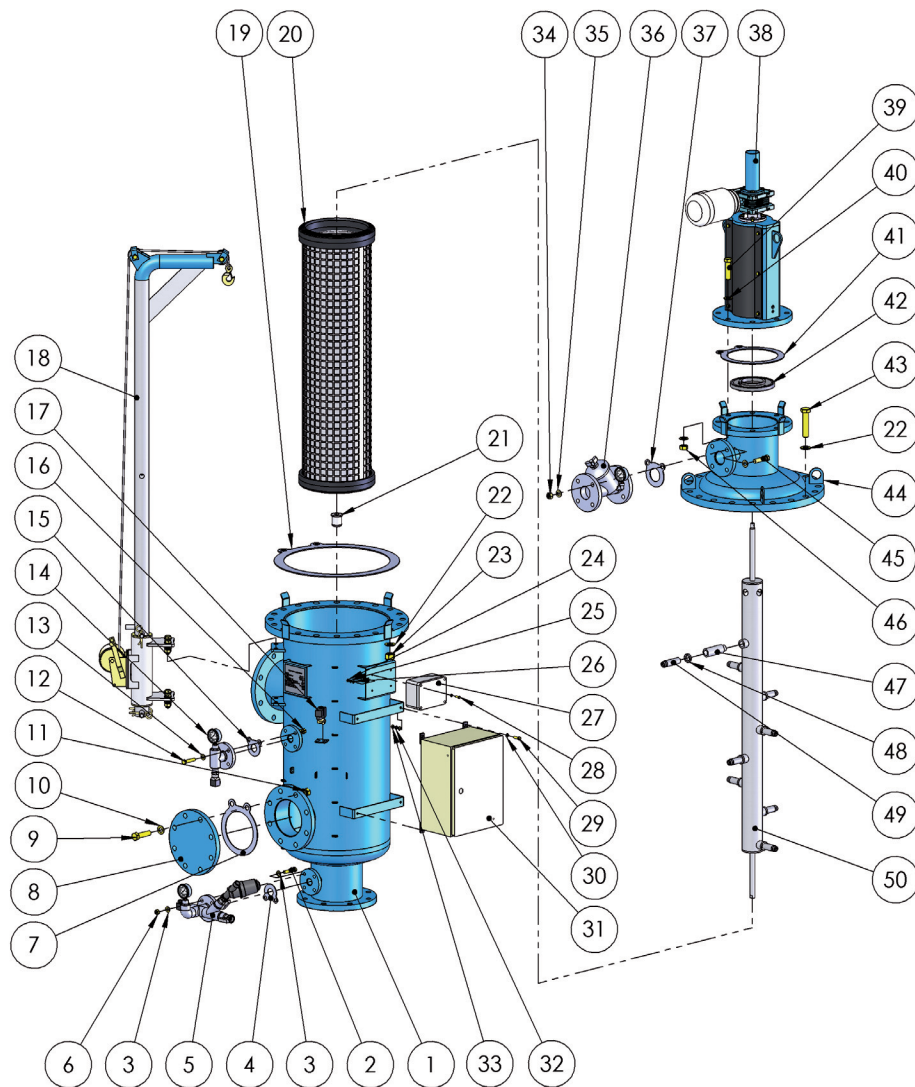
# Electric self-cleaning screen filter FMA 9000



Model	Dimensions (mm)								Filtering surface (cm <sup>2</sup> )	
	A	B	C	DN	E	ØF	H	G	PVC	ST.ST
FMA-9006	970	350	600	150	410	457	2.040	2.700	7.350	7.990
FMA-9008	1.250	350	900	200	480	457	2.320	2.975	9.800	10.600
FMA-9010	1.530	350	900	250	480	457	2.600	3.300	12.250	13.210
FMA-9012	1.250	400	900	300	480	608	2.320	2.975	16.100	16.500
FMA-9014	1.530	400	900	350	480	608	2.600	3.300	20.100	21.300

## Spare parts list

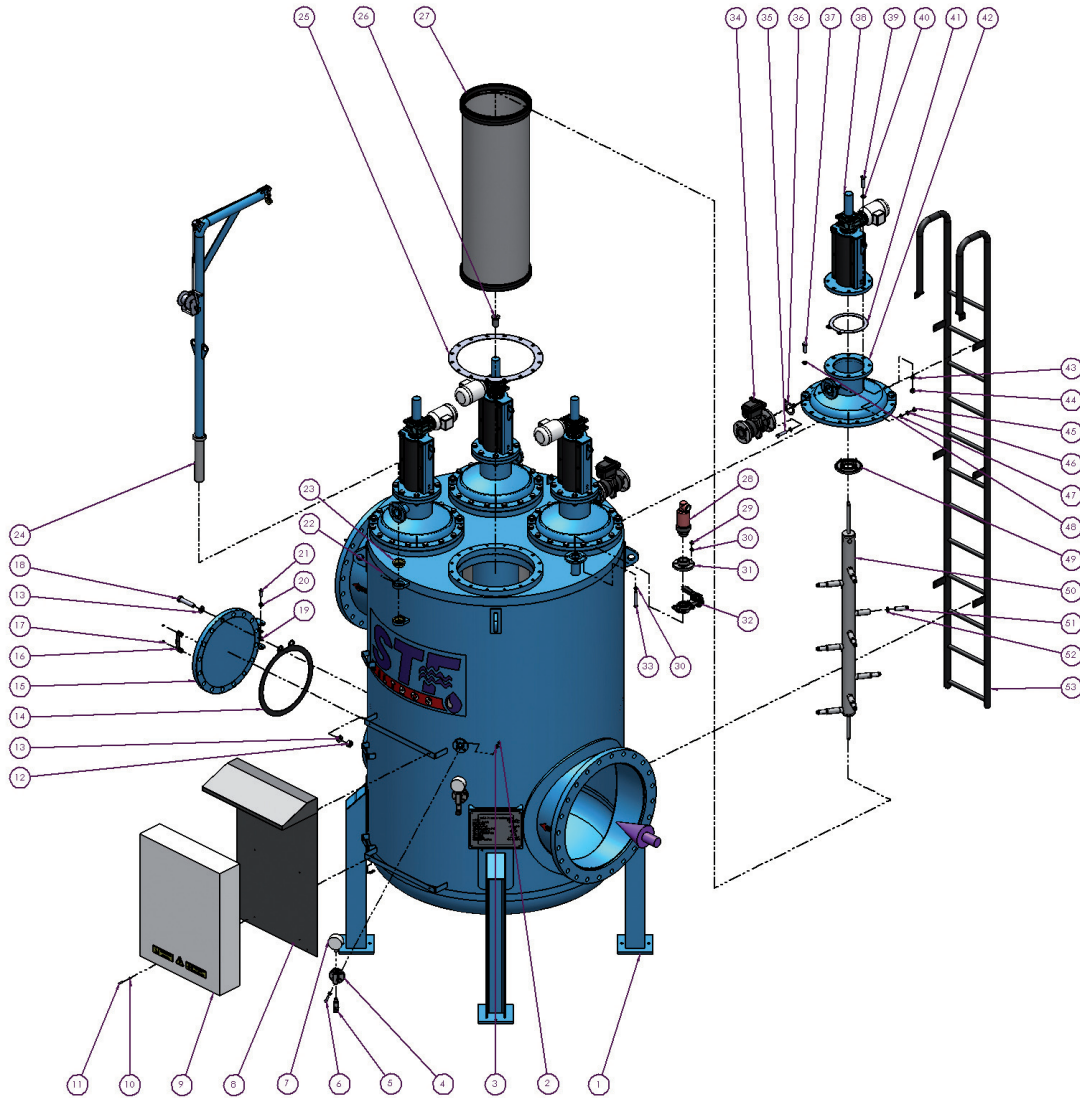
Nozzles with nylon brushes	(Code 9000.130)	<b>49</b>
Omron limit switch with pullier	(Code 9000.113)	<b>38.37</b>
1/4" gas male glycerine pressure gauge	(Code 9000.017)	<b>5.9</b>
1/4" gas male pressure transducer	(Code 9000.018)	<b>5.10</b>
NC 24v Dc solenoid	(Code 9000.029)	<b>17</b>
Ø 165x5 O-ring	(Code 9000.120)	<b>42.5</b>
Ø 45x4 O-ring	(Code 9000.095)	<b>38.8</b>
H seal joint	(Code 9000.118)	<b>42.3</b>
FMA-9008 lower joint	(Code 9000.060)	<b>20.3</b>
Ni-150 20x28x5,5 seal joint	(Code 9000.097)	<b>38.10</b>
EQ-16 quadric joint	(Code 9000.094)	<b>38.7</b>
Dn-150 flat joint	(Code 9000.022)	<b>7</b>
Dn-200 flat joint	(Code 9000.114)	<b>41</b>
Dn-25 flat joint	(Code 9000.007)	<b>15</b>
Dn-450 flat joint	(Code 9000.048)	<b>19</b>
Dn-50 flat joint	(Code 9000.088)	<b>37</b>
FMA-9014 upper joint	(Code 9000.055)	<b>21.1</b>
AUASOB 20x28x4,8/7 scraper	(Code 9000.093)	<b>1.9</b>
FMA-9000 centering guide bushing	(Code 9000.062)	<b>21</b>
Nozzle extension	(Code 9000.128)	<b>47</b>



Note: For more information about spare parts and hydraulic layout, please, visit STF-Filtros web page: [www.stf-filtros.com](http://www.stf-filtros.com)



# Electric self-cleaning screen filter FMA 10000



Model	Flow rate (m <sup>3</sup> /h)				Filtering surface (cm <sup>2</sup> )
	Max. flow rate	High Quality	Medium Quality	Low Quality	
FMA-10210	2.300	1.160	928	696	26.420
FMA-10310	3.450	1.740	1.392	1.044	39.630
FMA-10410	4.600	2.320	1.856	1.392	52.840
FMA-10212	2.800	1.400	1.120	840	33.000
FMA-10312	4.200	2.100	1.680	1.260	49.500
FMA-10412	5.600	2.800	2.240	1.680	66.000
FMA-10214	3.600	1.800	1.440	1.080	42.600
FMA-10314	5.400	2.700	2.160	1.620	63.900
FMA-10414	7.200	3.600	2.880	2.160	85.200

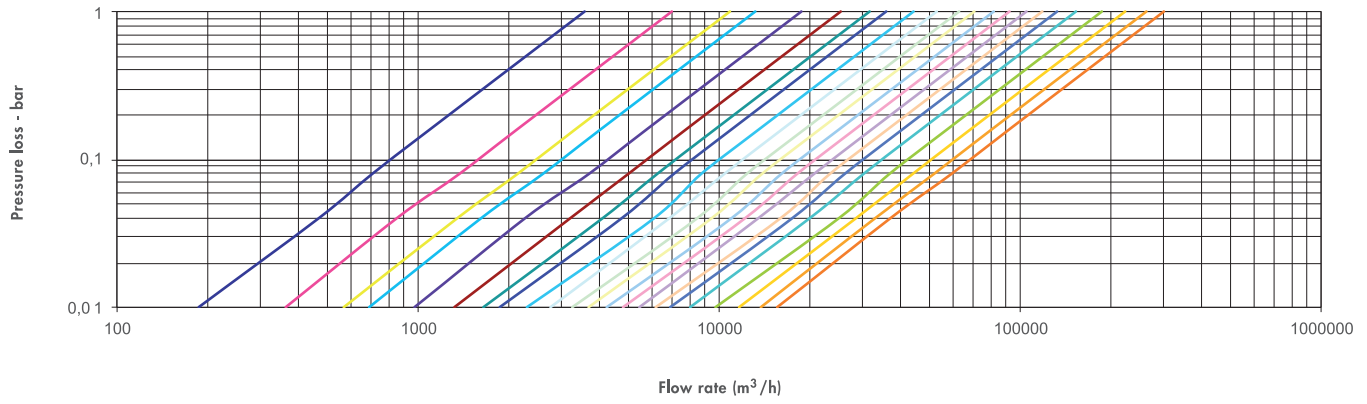
Note: For more information about spare parts and hydraulic layout , please, visit STF-Filtros web page: [www.stf-filtros.com](http://www.stf-filtros.com)

## Electric self-cleaning screen filter FMA 6000

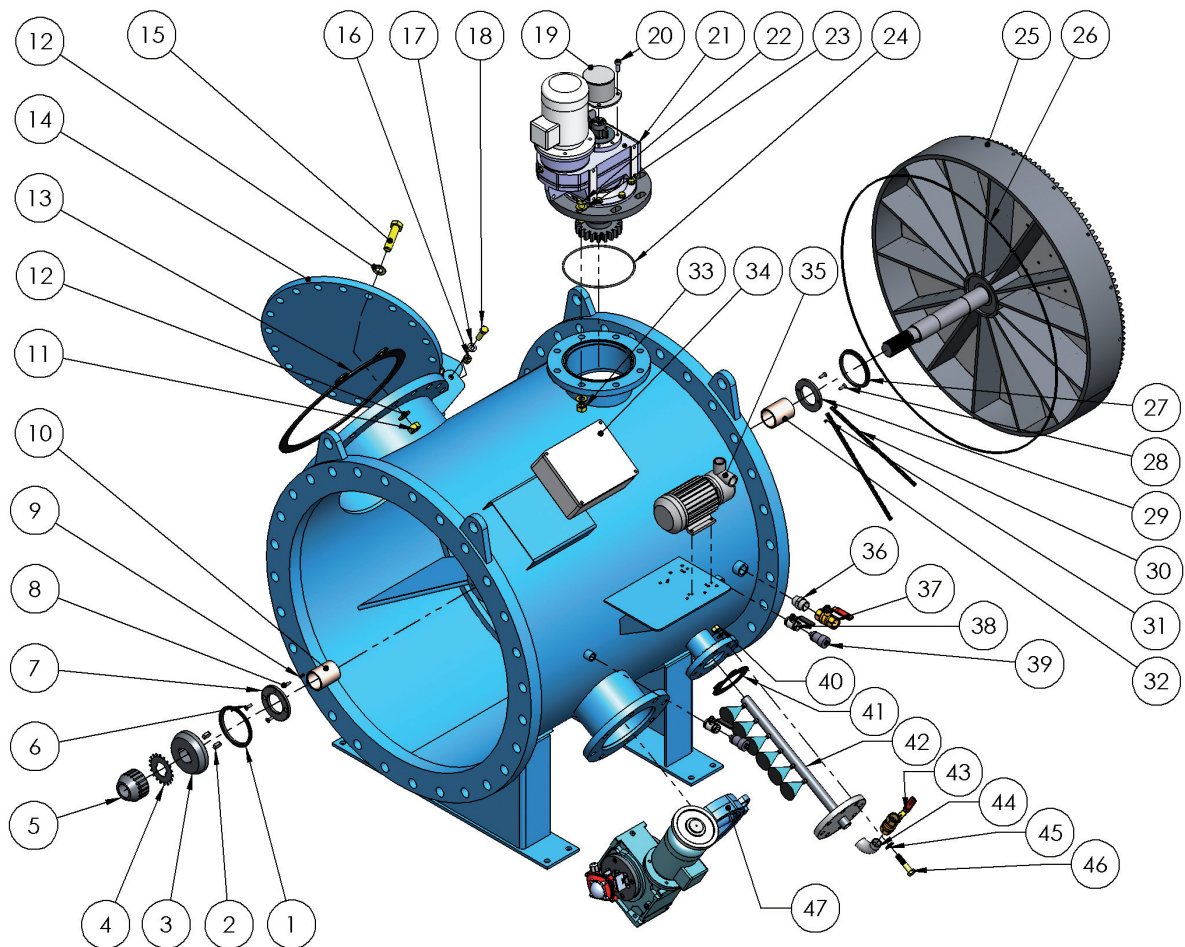


Model	In / Out Connection		Drain Connection		Flow rate (m <sup>3</sup> /s)		Installed power capacity (Kw)
	DN	Inches	DN	Inches	Screen (1,5x1,5)	Screen (2x2)	
FMA-6016	400	16"	80	3"	0,13	0,17	1,48
FMA-6020	500	20"	100	4"	0,19	0,36	1,48
FMA-6024	600	24"	125	5"	0,3	0,56	1,68
FMA-6028	700	28"	150	6"	0,45	0,65	1,75
FMA-6032	800	32"	150	6"	0,63	0,92	1,83
FMA-6036	900	36"	200	8"	0,89	1,25	2,1
FMA-6040	1000	40"	200	8"	1,14	1,53	2,57
FMA-6044	1100	44"	200	8"	1,42	1,75	2,8
FMA-6048	1200	48"	250	10"	1,69	2,22	3,35
FMA-6052	1300	52"	250	10"	1,9	2,5	3,5
FMA-6056	1400	56"	300	12"	2,35	3,33	3,7
FMA-6060	1500	60"	300	12"	2,85	3,89	4,1
FMA-6064	1600	64"	300	12"	3,4	4,17	4,3
FMA-6068	1700	68"	350	14"	3,75	4,72	4,7
FMA-6072	1800	72"	350	14"	4,14	5,14	5,2
FMA-6076	1900	76"	400	16"	4,75	5,56	5,5
FMA-6080	2000	80"	400	16"	5,41	6,67	6
FMA-6088	2200	88"	450	18"	6,45	7,78	6,2
FMA-6096	2400	96"	500	20"	7,5	8,89	6,38
FMA-6104	2600	104"	500	20"	8,39	11,1	6,72
FMA-6112	2800	112"	500	20"	9,55	13,06	7,1
FMA-6120	3000	120"	600	24"	10,3	14,44	7,25

# FMA 6000 head loss (1,5x1,5 Double Diamond Screen)



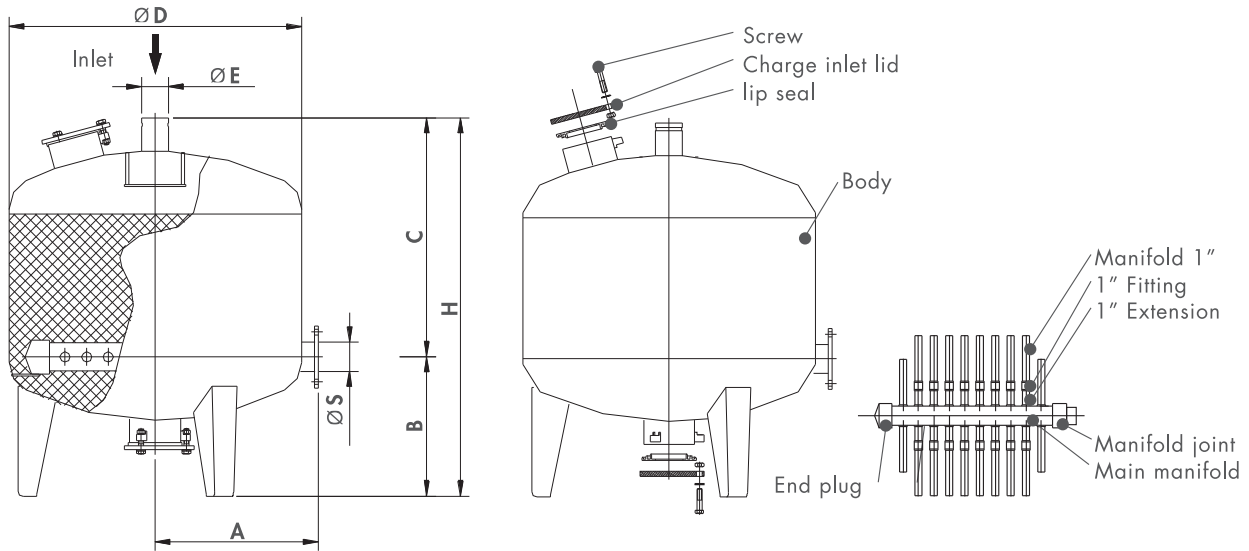
- FMA - 6016    — FMA - 6020    — FMA - 6024    — FMA - 6028    — FMA - 6032    — FMA - 6036    — FMA - 6040    — FMA - 6044
- FMA - 6048    — FMA - 6052    — FMA - 6056    — FMA - 6060    — FMA - 6064    — FMA - 6068    — FMA - 6072    — FMA - 6076
- FMA - 6080    — FMA - 6088    — FMA - 6096    — FMA - 6104    — FMA - 6112    — FMA - 6120





# SAND FILTERS

## Sand filters with arm collectors



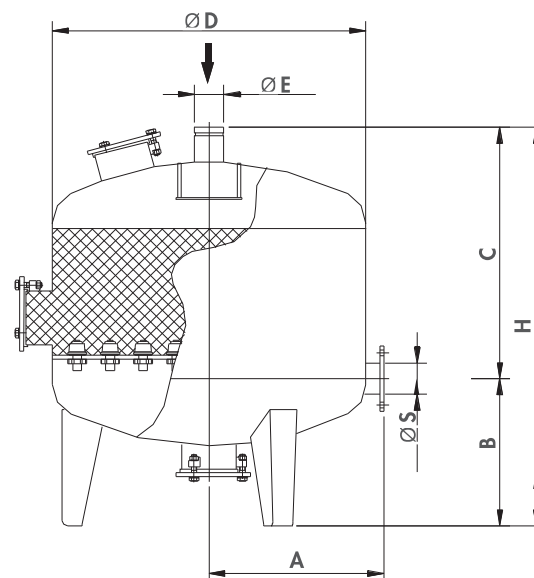
Model	ØE	ØS	Dimensions (mm)					Filtering surface (m <sup>2</sup> )	Empty weight (kg.)	Sand (kg.)
			ØD	A	B	C	H			
FAB-500	H 1" 1/2 Thread	H 1" 1/2 Thread	500	285	350	567	917	0,2	46	100
FAB-700	2" Victaulic	H 2" Thread	700	380	350	586	936	0,38	63	225
FAB-950	3" Victaulic	3" Flange	950	530	450	770	1220	0,71	128	500
FAB-1200	4" Victaulic	4" Flange	1200	665	450	815	1265	1,13	189	800

Model	Flow rate (m <sup>3</sup> /h)		
	Max. flow rate	Nominal	Backwashing
FAB-500	15	10	8
FAB-700	25	19	15
FAB-950	45	35	28
FAB-1200	75	55	45

Ask STF-Filtros for other models availability.



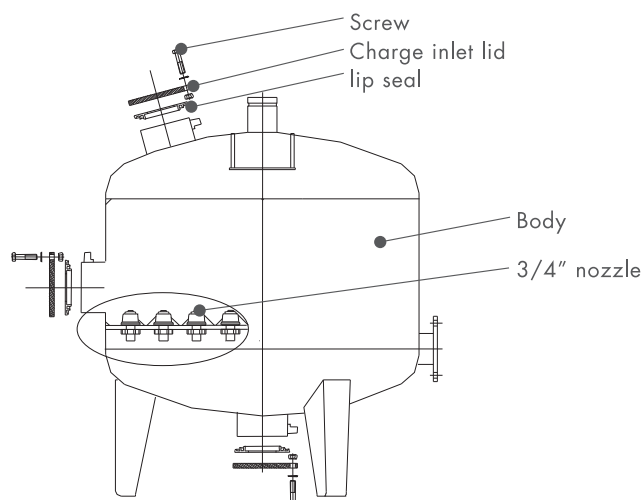
## Sand filters with nozzles plate



Model	Ø In (E)	Ø Out (S)	Dimensions (mm)					Filtering surface (m <sup>2</sup> )	Empty weight (kg.)	Sand (kg.)
			ØD	A	B	C	H			
FAC-500	H 1" 1/2 Thread	H 1" 1/2 Thread	500	285	350	567	917	0,2	67	75
FAC-700	2" Victaulic	H 2" Thread	700	380	350	586	936	0,38	102	150
FAC-950	3" Victaulic	3" DN-80 Flange	950	530	450	770	1220	0,71	210	375
FAC-1200	4" Victaulic	4" DN-100 Flange	1200	665	450	815	1265	1,13	319	550

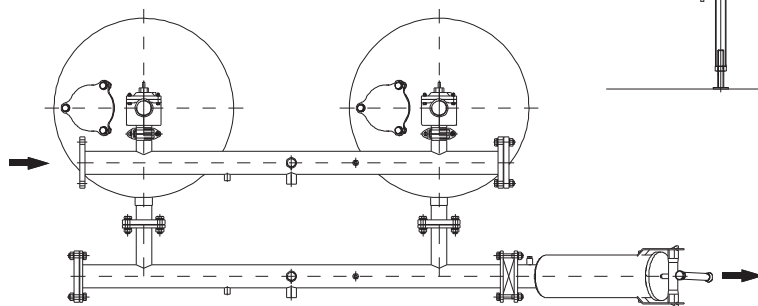
Model	Flow rate (m <sup>3</sup> /h)		
	Max. flow rate	Nominal	Backwashing
FAC-500	15	10	8
FAC-700	25	19	15
FAC-950	45	35	28
FAC-1200	75	55	45

Ask STF-Filtros for other models availability.

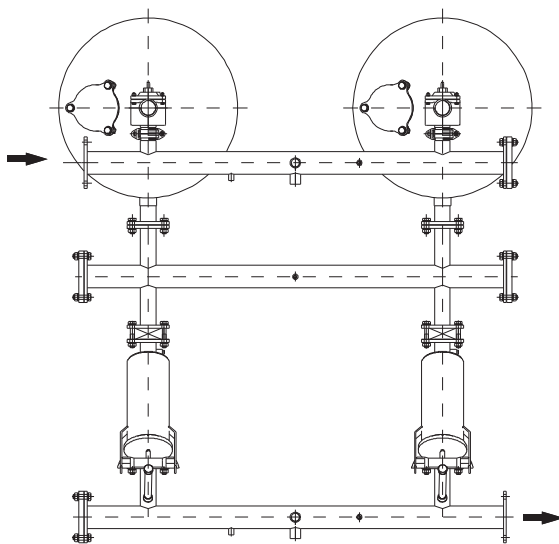


# Modular media filters

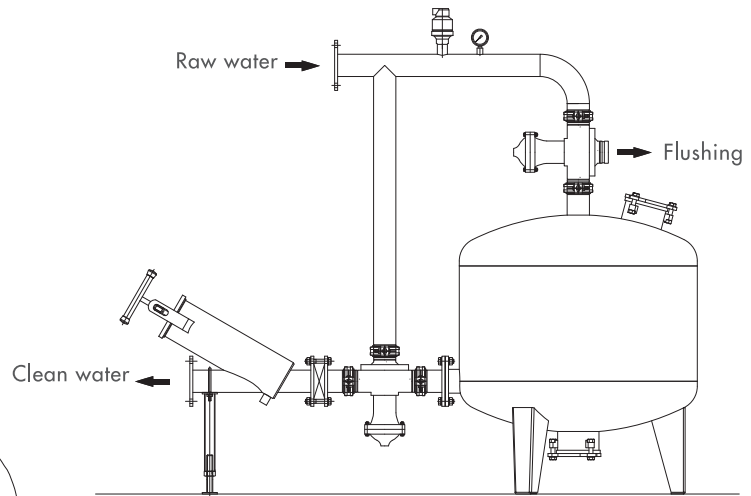
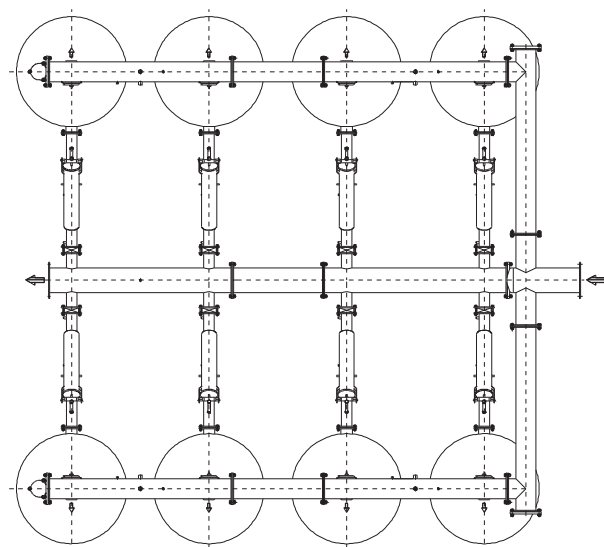
Modular media in line



Modular media in parallel



Double modular media in parallel



## Standard technical data

- Manufacturing materials:
  - \_ Carbon steel housing
  - \_ Joints and bolts bichromate quality 5.6 and 5.8
- Surface treatment:
  - \_ Surface blasting up to degree SA 2 1/2
  - \_ EPOXI-POLYESTER powder coating
- Maximum working pressure: 8 bar (If others ask Stf-Filtros)

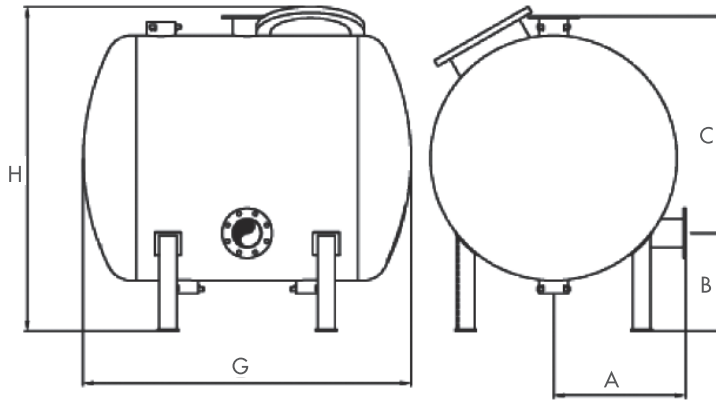
Note: Other non-standard specifications on demand.

Model	Arrangement	Filtering surface (m <sup>2</sup> )	Flow rate (m <sup>3</sup> /h)		
			Max. flow	Nominal	Backwashing
1 FAB 700 + 1 FY-2-M	individual	0,38	25	19	15
1 FAB 950 + 1 FY-3-M	individual	0,71	41	35	28
2 FAB 700 + 1 FY-3-M	line	0,77	50	38	15
2 FAB 700 + 2 FY-2-M	parallel	0,77	50	38	15
2 FAB 950 + 1 FY-4-M	line	1,42	92	71	28
2 FAB 950 + 2 FY-3-M	parallel	1,42	92	71	28
3 FAB 950 + 1 FY-6-M	line	2,13	138	106	28
3 FAB 950 + 3 FY-3-M	parallel	2,13	138	106	28
4 FAB 950 + 1 FY-6-M	line	2,84	184	142	28
4 FAB 950 + 4 FY-3-M	parallel	2,84	184	142	28
5 FAB 950 + 1 FY-8-M	line	3,55	230	177	28
5 FAB 950 + 5 FY-3-M	parallel	3,55	230	177	28
6 FAB 950 + 6 FY-3-M	double parallel	4,26	276	213	28
8 FAB 950 + 8 FY-3-M	double parallel	5,68	369	284	28
2 FAB 1200+ 2 FY-4-M	parallel	2,26	147	113	45
3 FAB 1200+ 3 FY-4-M	parallel	3,39	221	170	45
4 FAB 1200+ 4 FY-4-M	parallel	4,52	294	226	45
6 FAB 1200+ 6 FY-4-M	double parallel	6,78	441	339	45
8 FAB 1200+ 8 FY-4-M	double parallel	9,04	588	452	45
10 FAB 1200+ 10 FY-4-M	double parallel	11,3	740	565	45
12 FAB 1200+ 12 FY-4-M	double parallel	13,56	888	678	45
2 FAB 700 + 2 FY-2-AN	parallel	0,77	50	38	15
2 FAB 950 + 2 FY-3-AN	parallel	1,42	92	71	28
3 FAB 950 + 3 FY-3-AN	parallel	2,13	138	106	28
4 FAB 950 + 4 FY-3-AN	parallel	2,84	184	142	28
5 FAB 950 + 5 FY-3-AN	parallel	3,55	230	177	28
6 FAB 950 + 6 FY-3-AN	double parallel	4,26	276	213	28
8 FAB 950 + 8 FY-3-AN	double parallel	5,68	369	284	28
2 FAB 1200+ 2 FY-4-165-AN	parallel	2,26	147	113	45
3 FAB 1200+ 3 FY-4-165-AN	parallel	3,39	221	170	45
4 FAB 1200+ 4 FY-4-165-AN	parallel	4,52	294	226	45
6 FAB 1200+ 6 FY-4-165-AN	double parallel	6,78	441	339	45
8 FAB 1200+ 8 FY-4-165-AN	double parallel	9,04	588	452	45
10 FAB 1200+ 10 FY-4-165-AN	double parallel	11,3	740	565	45
12 FAB 1200+ 12 FY-4-165-AN	double parallel	13,56	888	678	45

Note: The manual modular media are equipped with a manometer, vents, sand, manual valves, joints and bolts and the corresponding filters. The automatic modular media are equipped with automatic valves, a programmer and a pressure switch. Collectors are not included. Sand Granulometry is 1-2 mm.



# Horizontal sand filters



Model	Inlet	Outlet	Dimensions (mm)					Empty weight (kg.)	Max. working pressure (bar)	
			Diameter	A	B	C	H			G
FAB 1400-H-PN6	Brida 6"	Brida 6"	1.400	750	560	1.240	1.900	2.000	580	6
FAB 1400-H-PN8	Brida 6"	Brida 6"	1.400	750	560	1.240	1.900	2.000	630	8

Model	Filtering surface (m <sup>2</sup> )	Sand (Kg.)
FAB 1400-H-PN6	2,15	2.000
FAB 1400-H-PN8	2,15	2.000



## Standard technical data

- Manufacturing materials:
  - \_ Carbon steel housing
  - \_ Joints and bolts bichromate quality 5.6 and 5.8
- Surface treatment:
  - \_ Surface blasting up to degree SA 2 1/2
  - \_ EPOXI-POLYESTER powder coating

Note: Other non-standard specifications on demand.



**ST**  
FILTROS

**ST**  
FILTROS

130  
MICRON

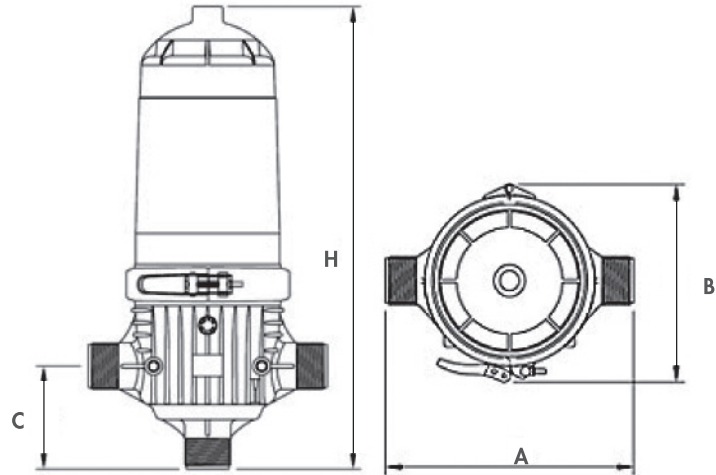
130  
MICRON



GRIPPA  
S.P.A.  
S.P.A. 1980  
S.P.A. 1980

# DISC FILTERS

## Manual disc filters



Model	Dimensions (mm)				Max. quality (m <sup>3</sup> /h)	Filtering surface (cm <sup>2</sup> )	Weight (kg.)
	A	B	C	H			
FAN-MAN-2"NM	309	245	133	597	30	1.198	7,5
FAN-MAN-2"SP	309	245	133	721	30	1.699	9
FAN-MAN-3"	336	245	147	721	50	1.699	9

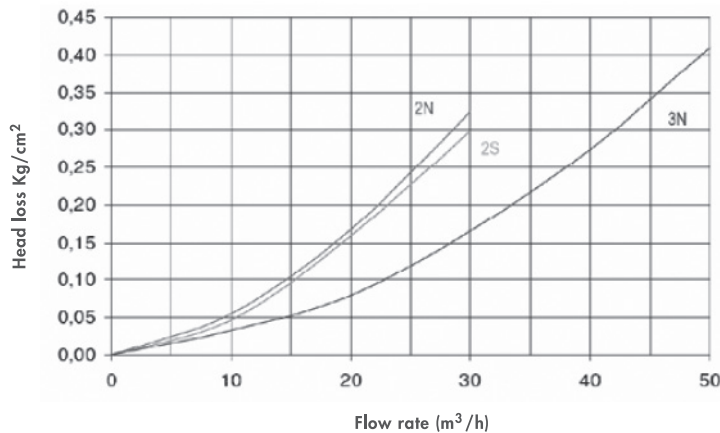
Nota: Values for 130 microns.

### Standard technical data

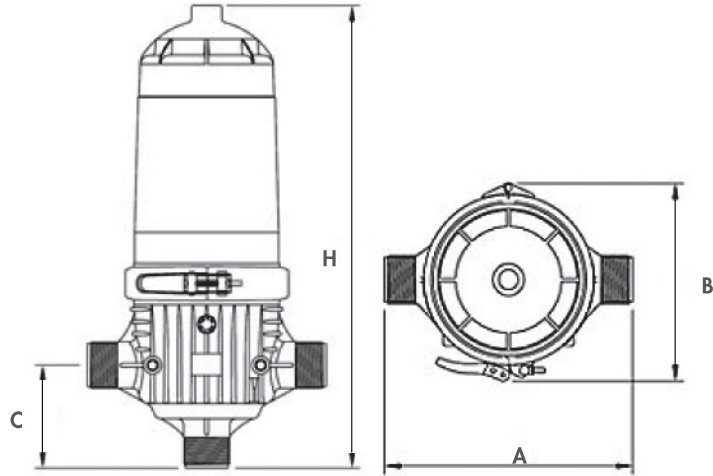
- Manufacturing materials:
  - \_ Polypropylene discs
  - \_ High resistance polyamide housing and casing
  - \_ AISI-316 stainless steel locking system
- Maximum working pressure: 10 bar

### Head loss

Note: Other non-standard specifications on demand.



# Automatic disc filters



Model	Dimensions (mm)				Max. quality (m <sup>3</sup> /h)	Filtering surface (cm <sup>2</sup> )	Weight (kg.)	Backwashing flow (m <sup>3</sup> /h)
	A	B	C	H				
FAN-AUTO-2"	309	245	133	721	20	1.492	10	11
FAN-AUTO-3"	336	245	147	721	30	1.492	10	11

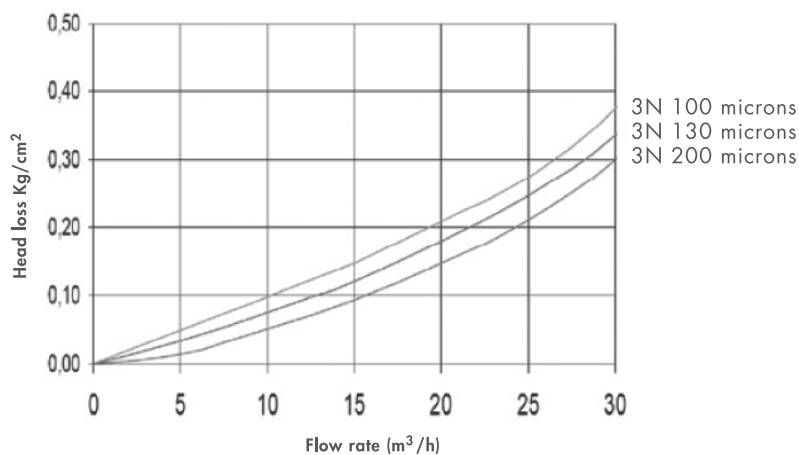
Nota: Values for 130 microns.

## Standard technical data

- Manufacturing materials:
  - \_ Polypropylene discs
  - \_ High resistance polyamide housing and casing
  - \_ AISI-316 stainless steel locking system
- Maximum working pressure: 10 bar
- Backwashing minimum pressure: 3 bar

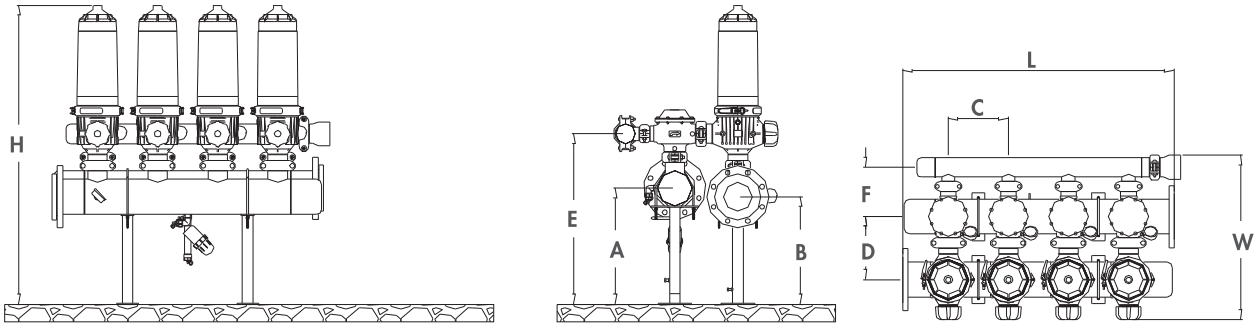
Note: Other non-standard specifications on demand.

## Head loss



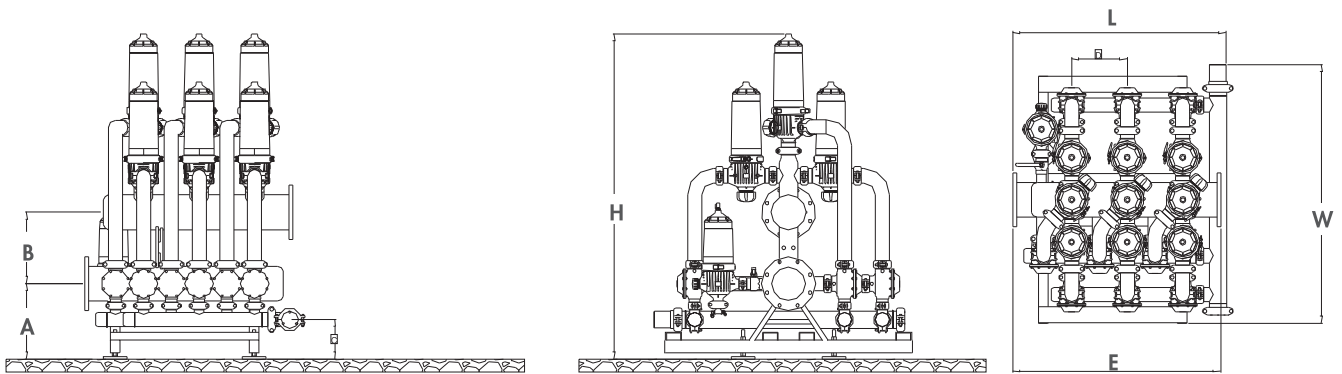
# Head dimensions

## Heads line



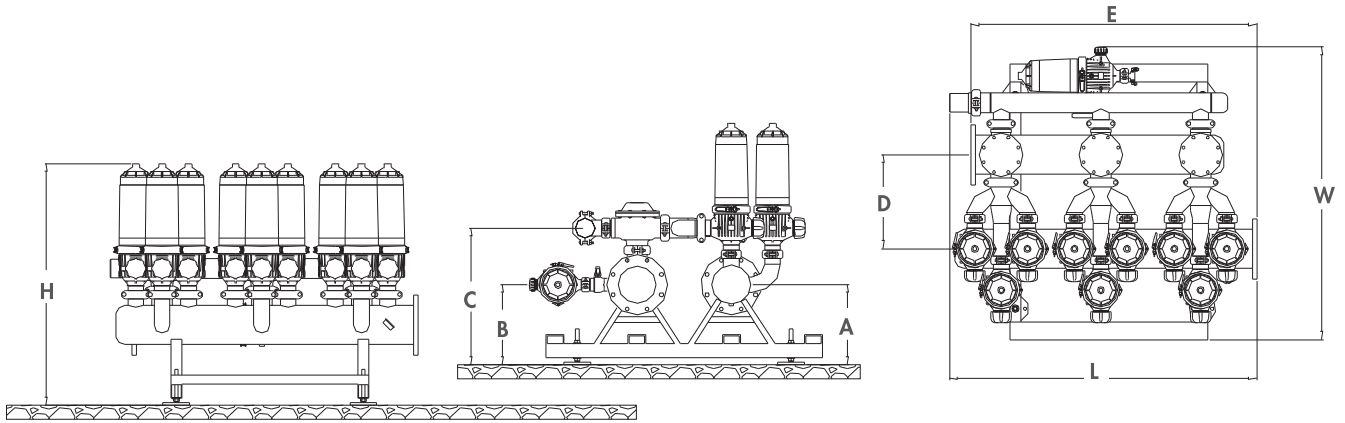
Model	Dimensions (mm)									Filtering surface (cm <sup>2</sup> )
	A	B	C	D	E	F	H	L	W	
2x3 L	507	467	275	289	731	226	1.319	744	753	2.984
3x3 L	507	467	275	289	731	226	1.319	929	753	4.476
4x3 L	532	492	275	289	781	226	1.369	1.244	753	5.968
5x3 L	532	492	275	289	781	226	1.369	1.519	753	7.460
6x3 L	532	492	275	289	781	226	1.369	1.796	753	8.952
7x3 L	512	781	275	619	781	226	1.369	2.069	1.063	10.444
8x3 L	512	781	275	619	781	226	1.369	2.346	1.063	11.936

## Heads in parallel



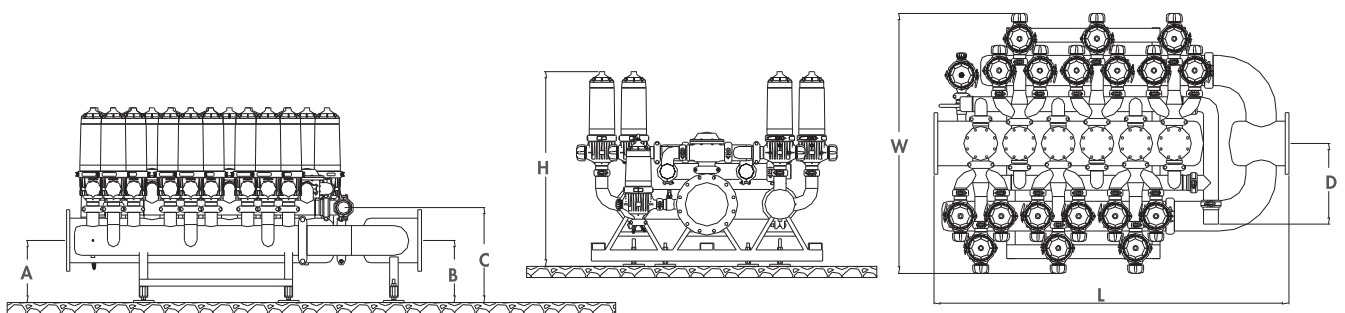
Model	Dimensions (mm)									Filtering surface (cm <sup>2</sup> )
	A	B	C	D	E	H	L	W		
9x3 C	475	450	249	350	1.309	2.045	1.344	1.629	13.428	
12x3 C	475	450	249	350	1.656	2.045	1.691	1.629	17.904	
15x3 C	475	450	249	350	1.991	2.045	2.034	1.629	22.380	
18x3 C	475	450	249	350	2.358	2.045	2.407	1.629	26.856	
21x3 C	475	450	249	350	2.725	2.045	2.748	1.629	31.332	
24x3 C	475	450	249	350	3.426	2.045	3.453	1.629	35.808	
27x3 C	475	450	249	350	3.930	2.085	3.957	1.629	40.284	
30x3 C	475	450	249	350	4.280	2.085	4.307	1.629	44.760	

## Triple heads in line



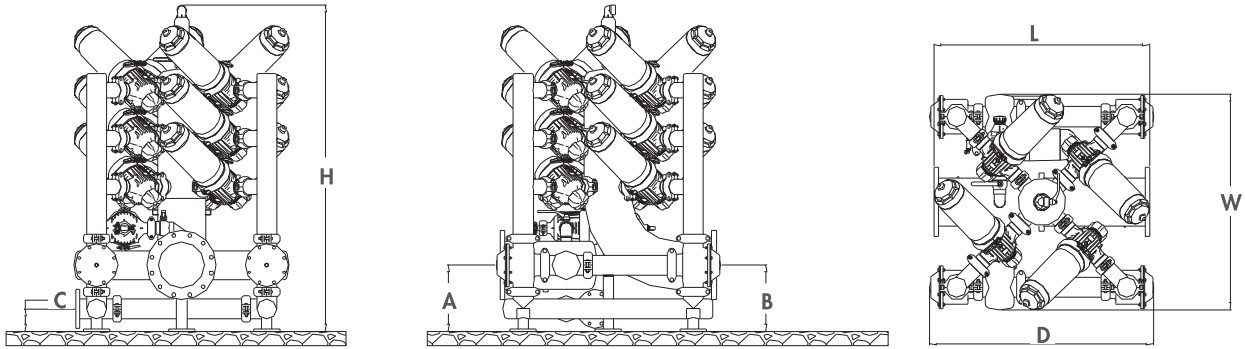
Model	Dimensions (mm)								Filtering surface (cm <sup>2</sup> )
	A	B	C	D	E	H	L	W	
3x4 TL	450	450	768	528	1.606	1.356	1.726	1.647	13.428
4x4 TL	450	450	795	528	2.170	1.383	2.288	1.647	17.904
5x4 TL	450	450	795	528	2.730	1.383	2.848	1.647	22.380
6x4 TL	450	450	821	528	3.263	1.409	3.424	1.673	26.856
7x4 TL	450	450	821	528	3.823	1.409	3.984	1.673	31.332
8x4 TL	450	450	821	528	4.383	1.409	4.544	1.673	35.808
9x4 TL	450	450	836	528	4.943	1.425	5.185	1.689	40.284
10x4 TL	450	450	836	528	5.503	1.425	5.745	1.689	44.760

## Triple heads in parallel



Model	Dimensions (mm)							Filtering surface (cm <sup>2</sup> )
	A	B	C	D	H	L	W	
6x4 TD	450	450	689	587	1.413	2.570	1.886	26.856
7x4 TD	450	450	689	587	1.413	3.290	1.886	31.332
8x4 TD	450	450	689	587	1.413	3.290	1.886	35.808
9x4 TD	450	450	689	587	1.413	3.900	1.886	40.284
10x4 TD	450	450	689	587	1.413	3.900	1.886	44.760

## Heads in star-shaped arrangement



Model	Dimensions (mm)							Filtering surface (cm <sup>2</sup> )
	A	B	C	D	H	L	W	
4x4 S	380	380	130	1.280	1.862	1.235	1.228	17.904
5x4 S	380	380	130	1.700	1.963	1.730	1.881	22.380
6x4 S	380	380	130	1.700	1.974	1.730	1.881	26.856

## Standard technical data

Model	In /Out Diameter	Flow rate (m <sup>3</sup> /h)		
		High Quality	Medium Quality	Low Quality
2x3 L	DN80	60	40	20
3x3 L	DN100	90	60	30
4x3 L	DN100	120	80	40
5x3 L	DN150	150	100	50
6x3 L	DN150	180	120	60
7x3 L	DN150	210	140	70
8x3 L	DN150	240	160	80

Model	In /Out Diameter	Flow rate (m <sup>3</sup> /h)		
		High Quality	Medium Quality	Low Quality
9x3 C	DN150	270	180	90
12x3 C	DN200	360	240	120
15x3 C	DN200	450	300	150
18x3 C	DN250	540	360	180
21x3 C	DN250	630	420	210
24x3 C	DN300	720	480	240
27x3 C	DN300	810	540	270
30x3 C	DN300	900	600	300

Model	In /Out Diameter	Flow rate (m <sup>3</sup> /h)		
		High Quality	Medium Quality	Low Quality
4x4 S	DN200	360	240	120
5x4 S	DN200	450	300	150
6x4 S	DN250	540	360	180

Model	In /Out Diameter	Flow rate (m <sup>3</sup> /h)		
		High Quality	Medium Quality	Low Quality
3x4 TL	DN150	270	180	90
4x4 TL	DN200	360	240	120
5x4 TL	DN200	450	300	150
6x4 TL	DN250	540	360	180
7x4 TL	DN250	630	420	210
8x4 TL	DN300	720	480	240
9x4 TL	DN300	810	540	270
10x4 TL	DN300	900	600	300

Model	In /Out Diameter	Flow rate (m <sup>3</sup> /h)		
		High Quality	Medium Quality	Low Quality
6x4 TD	DN250	540	360	180
7x4 TD	DN250	630	420	210
8x4 TD	DN300	720	480	240
9x4 TD	DN300	810	540	270
10x4 TD	DN300	900	600	300

## Manufacturing materials

- Discs  
Polypropylene grooved discs  
130 mm external diameter  
Polyamide frame and bars made of fibreglass reinforced polyester
- Casing  
High resistance polyamide
- Locking system  
AISI 316 stainless steel
- Housing  
High resistance polyamide
- Seal joints  
Nitrile rubber
- Collectors  
Carbon steel according to ISO-R/65 II and DIN 2458; blasting up to degree SA 2 ½ and epoxy-polyester coating
- Valves  
Brass  
Cast iron coated with polyester
- Available microns  
100 - 130 - 200 microns

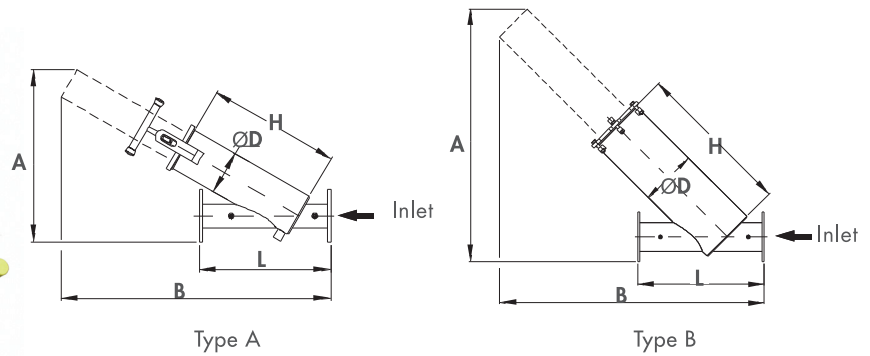






# STEEL FILTERS

## Y pattern steel filters



Model	Connection	Filtering surface (cm <sup>2</sup> )	PVC cartridge and discs cartridge flow (m <sup>3</sup> /h)	Stainless steel cartridge Flow rate (m <sup>3</sup> /h)	Dimensions (mm)					Type	Weight (kg.)
					L	D	H	A	B		
FY-2	Thread 2"	1498	20	24	450	165	377	550	780	A	13
FY-3	Flange 3"	2004	40	48	495	165	502	680	1025		20
FY-4-165	Flange 4"	2960	80	96	695	165	749	935	1565		26
FY-4-220	Flange 4"	3120	100	120	695	220	659	860	1345	B	35
FY-5	Flange 5"	3120	100	120	695	220	659	870	1345		37
FY-6	Flange 6"	5456	150	180	725	323	894	1500	1560		66
FY-8	Flange 8"	11028	300	360	1000	406	1133	1905	2055		136
FY-10	Flange 10"	13696	400	480	1000	406	1408	2300	2450		162
FY-12	Flange 12"	17120	475	570	1250	457	1674	2300	3135	228	

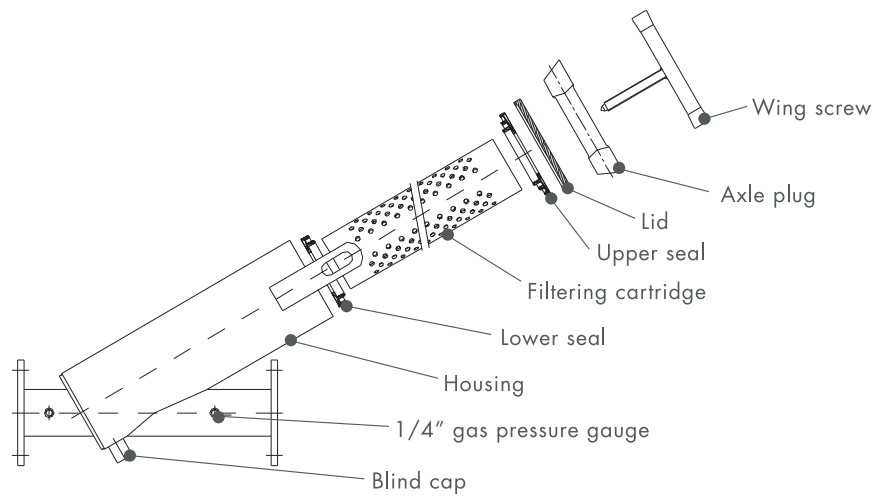
- AISI 304 stainless steel cartridge with a 2 mm coarse screen.
- PVC cartridge with molded plastic tube that supports an AISI 316 stainless steel screen for filtration degrees up to 125 microns
- Polypropilene disc cartridge for filtration degrees up to 130 microns (water flows in opposite direction to the screen).

Note: Other filtration degrees available on demand.



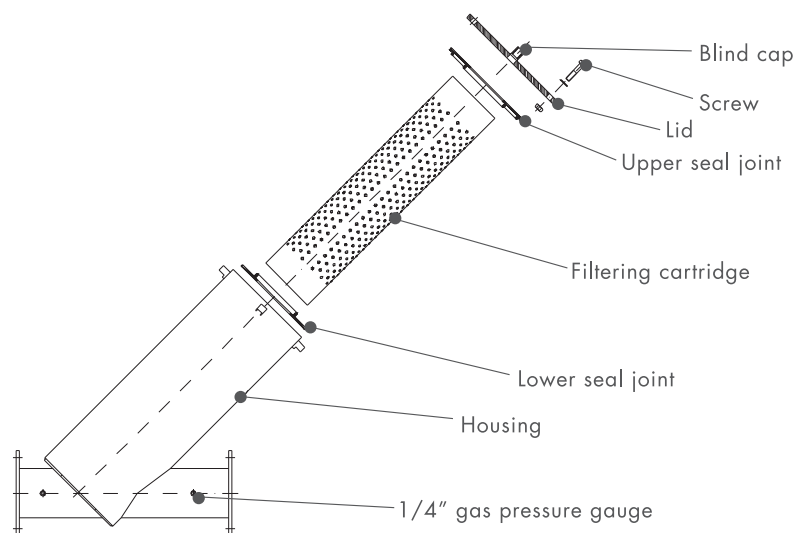
## Y pattern filter parts

### Y pattern filters 2", 3" and 4" Ø165



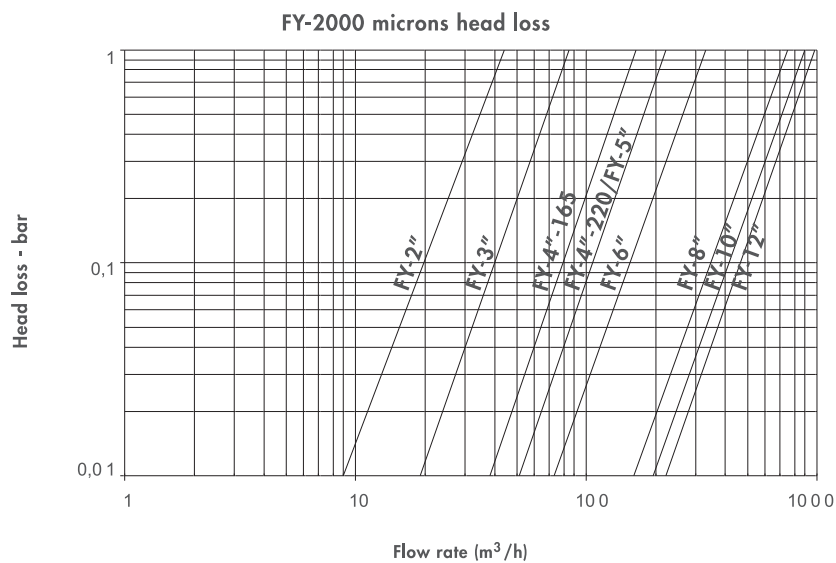
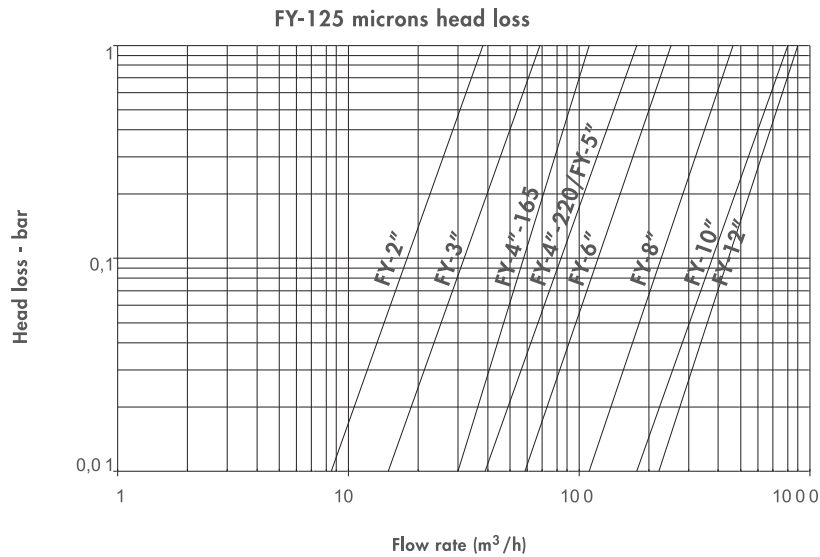
IMPORTANT: Pressure taps are supplied with lids. Pressure gauges are optional. The water inlet valve is optional.

### Y pattern filters 4" Ø220, 5", 6", 8", 10" and 12"



IMPORTANT: Pressure taps are supplied with lids. Pressure gauges are optional. The water inlet valve is optional.

## Y pattern filters head loss



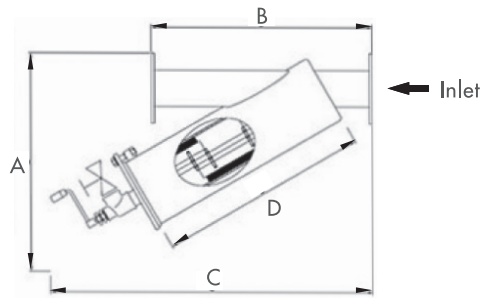
## Standard technical data

- Manufacturing materials:
  - \_ Carbon steel housing
  - \_ Joints and bolts bichromate quality 5.6 and 5.8
  - \_ PVC cartridge with molded plastic tube that supports an AISI 316 stainless steel screen
  - \_ AISI-304 stainless steel cartridge
  - \_ Polypropylene disc cartridge
- Surface treatment:
  - \_ Surface blasting up to degree SA 2 1/2
  - \_ Epoxy-polyester powder coating
- Maximum working pressure: 10 bar (Ask STF-Filtros for other working pressures availability)

Note: Other non-standard specifications on demand.

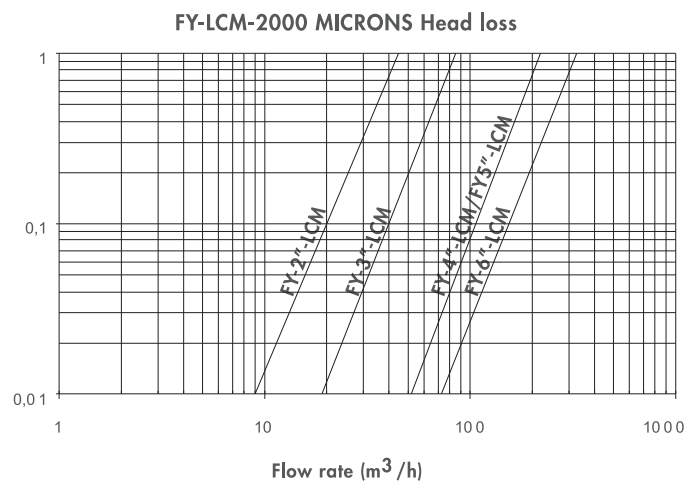
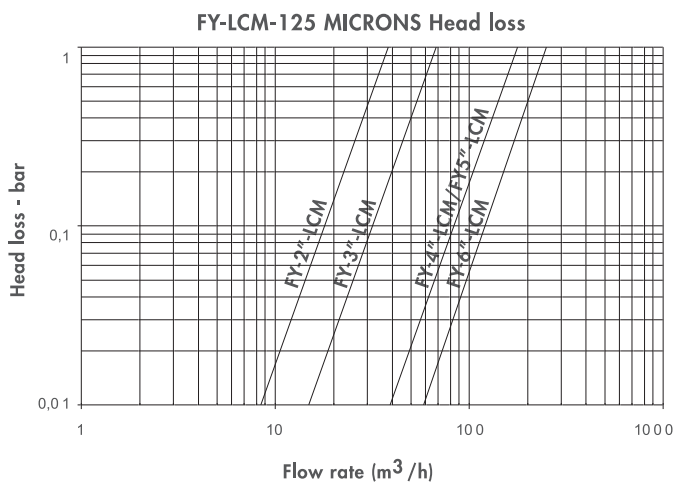


# Y pattern steel filters with manual brush



Model	Connection	Filtering surface (cm <sup>2</sup> )	PVC cartridge flow rate (m <sup>3</sup> /h)	Stainless steel cartridge flow rate (m <sup>3</sup> /h)	Dimensions (mm)				Weight (kg.)
					A	B	C	D	
FY-2-LCM	Thread 2"	1498	20	24	495	450	690	377	20
FY-3-LCM	Flange 3"	2004	40	48	588	495	830	502	24
FY-4-LCM	Flange 4"	3120	100	120	672	695	1.004	659	36
FY-5-LCM	Flange 5"	3120	100	120	672	695	1.004	659	41
FY-6-LCM	Flange 6"	5456	150	180	1000	725	1.120	895	72

## Y pattern filters head loss

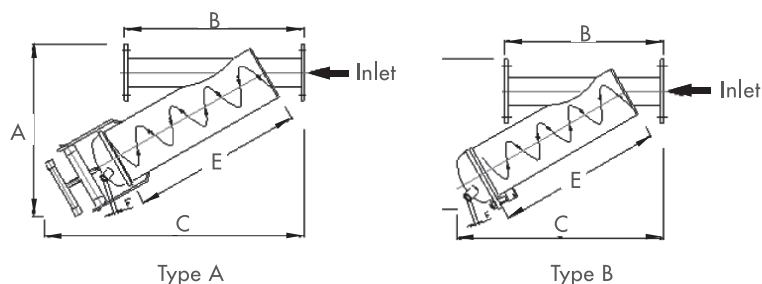


## Standard technical data

- Manufacturing materials:
  - \_ Carbon steel housing
  - \_ Joints and bolts bichromate quality 5.6 and 5.8
  - \_ PVC cartridge with molded plastic tube that supports an AISI 316 stainless steel screen for filtration degrees up to 125 microns.
  - \_ AISI 304 stainless steel cartridge with a 2 mm coarse screen
- Surface treatment:
  - \_ Surface blasting up to degree SA 2 1/2
  - \_ Epoxy-polyester powder coating
- Maximum working pressure: 10 bar (Ask STF-Filtros for other working pressures availability)

Note: Other filtration degrees available on demand.  
Note: Other non-standard specifications on demand.

## Y pattern steel filters with cyclone effect



Model	Connection	Filtering surface (cm <sup>2</sup> )	PVC & Disc cartridge flow rate (m <sup>3</sup> /h)	St. Steel cartridge flow rate (m <sup>3</sup> /h)	Dimensions (mm)				Type	Weight (kg.)
					A	B	C	D		
FY-2-CIC	Thread 2"	1498	38	38	488	450	693	377	A	14
FY-3-CIC	Flange 3"	2004	55	55	583	495	837	502		21
FY-4-CIC	Flange 4"	3120	65	65	672	695	1.004	659		41
FY-5-CIC	Flange 5"	3120	65	65	672	695	1.004	659	B	42
FY-6-CIC	Flange 6"	5456	115	115	938	725	1.003	895		66

Note: Other filtration degrees available on demand.



### Standard technical data

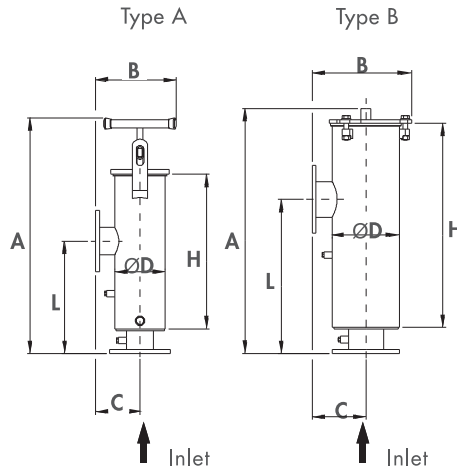
- Manufacturing materials:
  - \_ Carbon steel housing
  - \_ Joints and bolts bichromate quality 5.6 and 5.8
  - \_ PVC cartridge with molded plastic tube that supports an AISI 316 stainless steel screen for filtration degrees up to 125 microns.
  - \_ AISI 304 stainless steel cartridge with a 2 mm coarse screen
- Surface treatment:
  - \_ Surface blasting up to degree SA 2 1/2
  - \_ Epoxy-polyester powder coating
- Maximum working pressure: 10 bar (Ask STF-Filtros for other working pressures availability)

Note: Other non-standard specifications on demand.

### Operation principle

- In metallic filters Y pattern, cyclonic effect, three processes are carried out to improve the filtration efficiency:
  - \_ Coarse particles are separated by centrifugal effect.
  - \_ Filtration through the stainless steel screen
  - \_ Cartridge continuous backwashing, which is produced by the incidence of pressurized water in helical trajectory throughout the filtering cartridge surface.

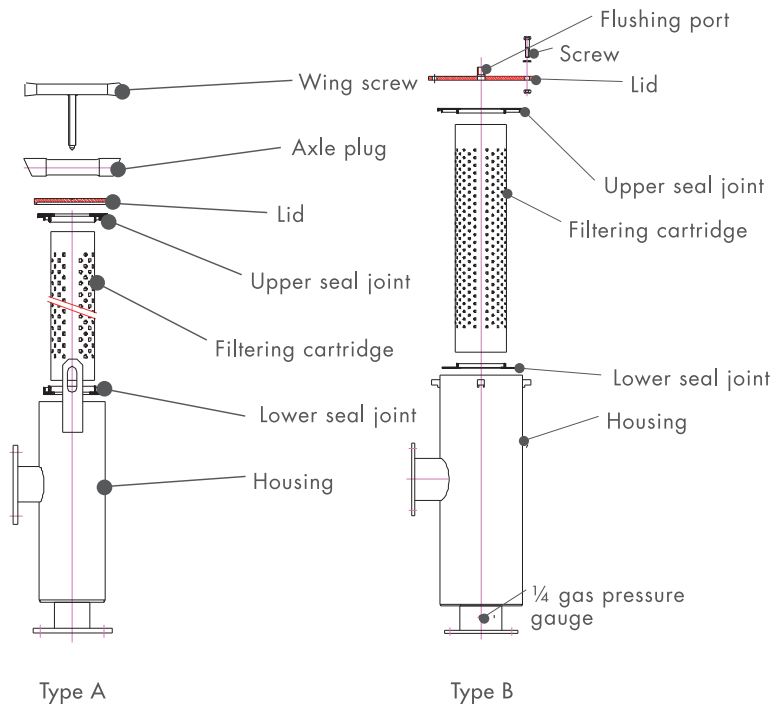
# L pattern steel filters



Model	Connection	Filtering surface (cm <sup>2</sup> )	Flow rate (m <sup>3</sup> /h) drip & disc cartridge	Flow rate (m <sup>3</sup> /h) sprinkler cartridge	Dimensions (mm)						Type	Weight (kg.)
					C	L	D	H	A	B		
FL-2	Thread 2"	1498	20	24	140	350	165	377	605	255	A	12
FL-3	Flange 3"	2004	40	48	145	365	165	502	750	265		19
FL-4 Ø165	Flange 4"	2960	80	96	150	500	165	749	1015	265		23
FL-4 Ø220	Flange 4"	3120	100	120	175	500	220	659	800	320	B	32
FL-5	Flange 5"	3120	100	120	175	500	220	659	800	320		34

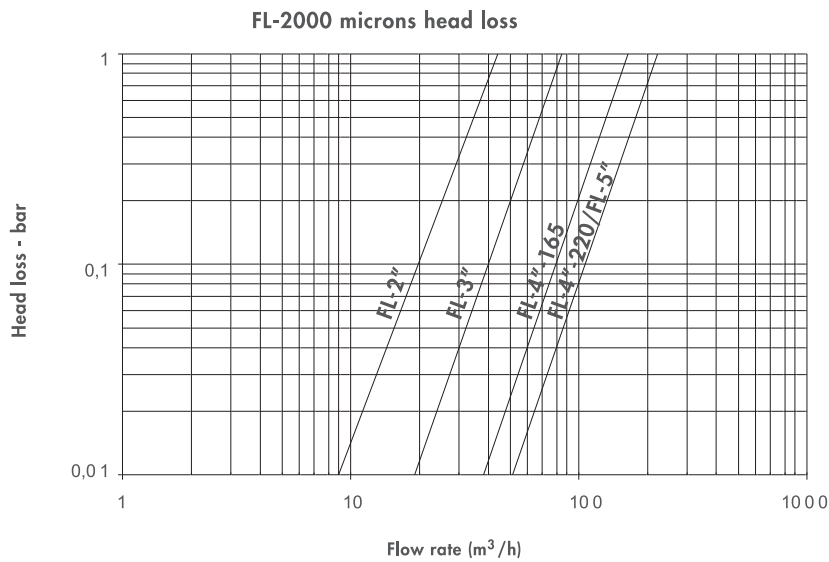
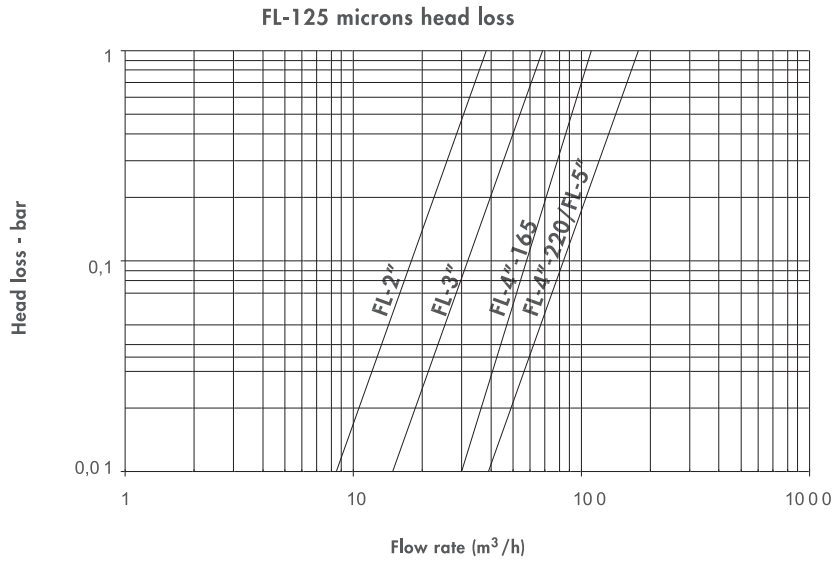
- PVC cartridge with molded plastic tube that supports an AISI 316 stainless steel screen for filtration degrees up to 125 microns.
- AISI 304 stainless steel cartridge with a 2 mm coarse screen
- Polypropylene disc cartridge for filtration degrees up to 130 microns (water flows in opposite direction to the screen).

Note: Ask STF-Filtros for other models availability.





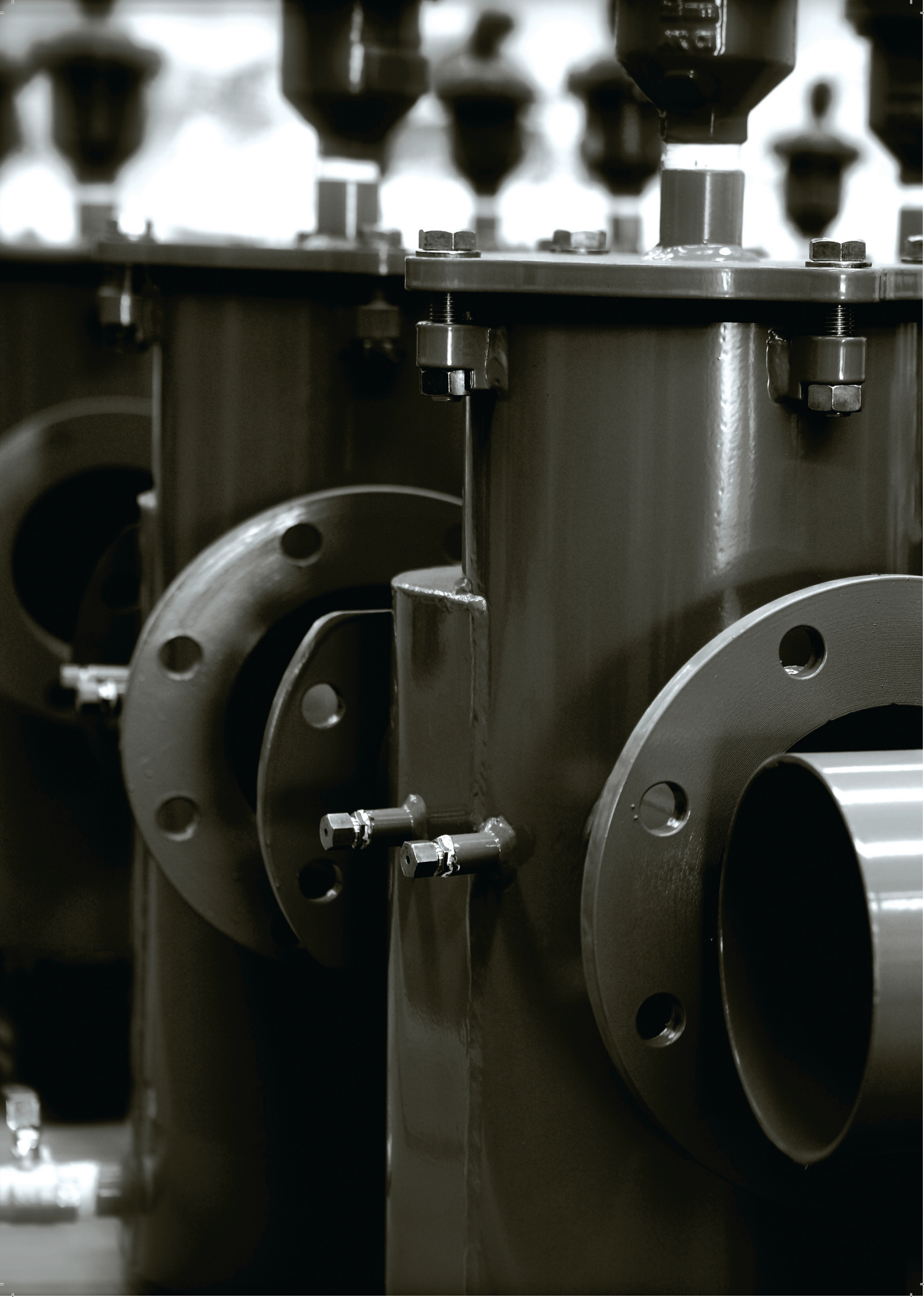
# L pattern filters head loss



## Standard technical data

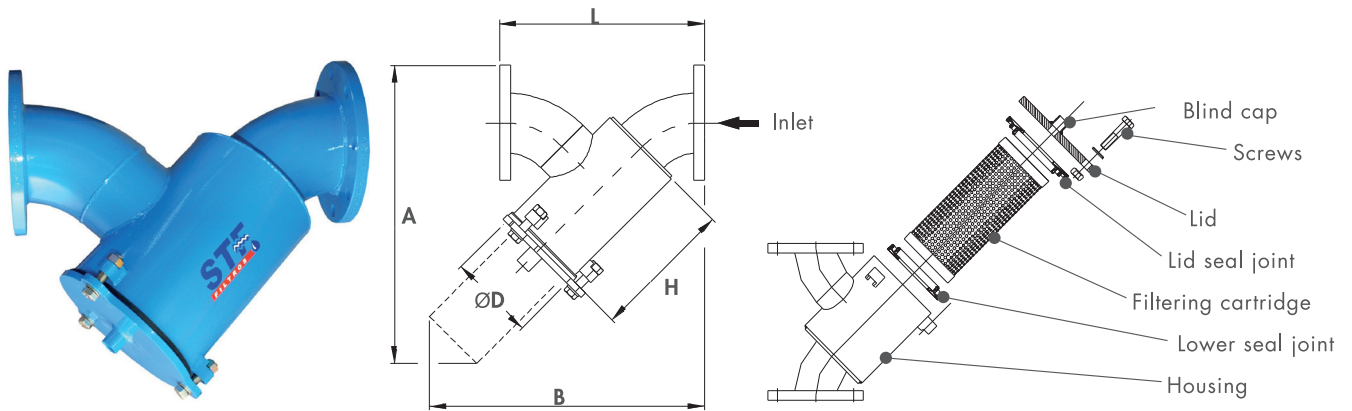
- Manufacturing materials:
  - \_ Carbon steel housing
  - \_ Joints and bolts bichromate quality 5.6 and 5.8
  - \_ PVC cartridge with molded plastic tube that supports an AISI 316 stainless steel screen
  - \_ AISI 304 stainless steel cartridge
  - \_ Polypropylene disc cartridge
- Surface treatment:
  - \_ Surface blasting up to degree SA 2 1/2
  - \_ Epoxy-polyester powder coating
- Maximum working pressure: 10 bar (Ask STF-Filtros for other working pressures availability)

Note: Other non-standard specifications on demand.



# STRAINERS

## Y pattern strainers

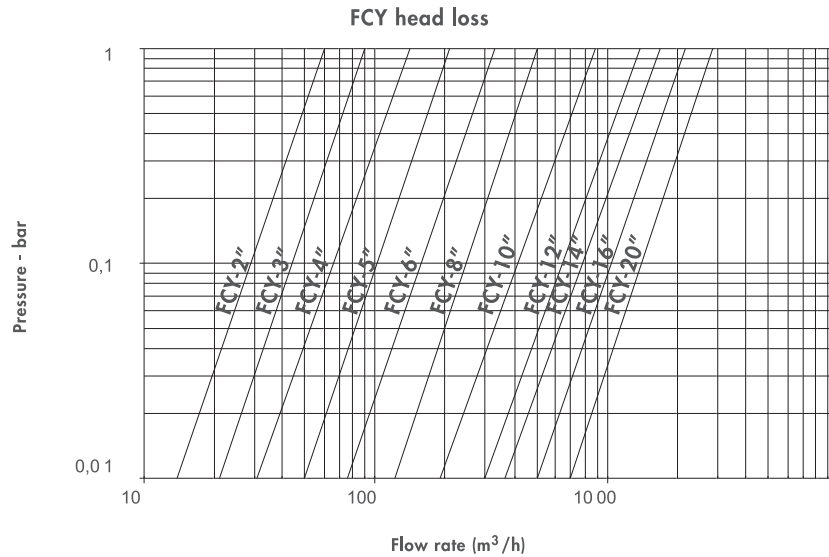


Model	Connection	Dimensions (mm)					Filtering surface (cm <sup>2</sup> )	Weight (kg.)
		L	D	H	A	B		
FCY-2	2" Thread / 2" Flange	350	165	153	330	400	585	8
FCY-3	3" Flange	325	165	205	485	445	790	17
FCY-4	4" Flange	390	165	262	585	550	1015	19
FCY-5	5" Flange	510	165	377	770	736	1490	25
FCY-6	6" Flange	590	220	327	750	715	1540	35
FCY-8	8" Flange	700	323	417	965	935	2690	64
FCY-10	10" Flange	915	406	508	1145	1120	4750	101
FCY-12	12" Flange	1025	406	608	1340	1316	6190	115
FCY-14	14" Flange	1150	457	715	1565	1515	7245	177
FCY-16	16" Flange	1500	608	820	1795	1775	10112	432
FCY-20	20" Flange	1700	710	915	2050	2050	14740	637

- AISI 304 stainless steel cartridge with 4 mm coarse screen.

Note: Other models available on demand.

## Y pattern strainers head loss



Note: Values for 4 mm cartridge.

## Standard technical data

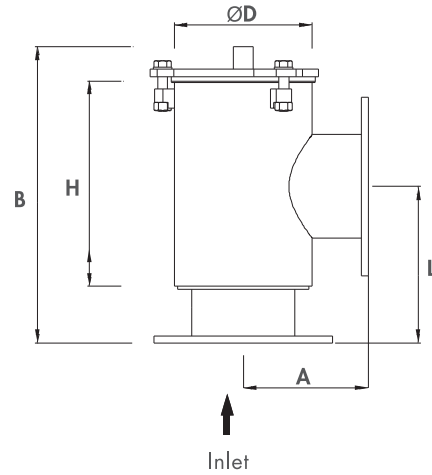
- Manufacturing materials:
  - \_ Carbon steel housing
  - \_ Joints and bolts bichromate quality 5.6 and 5.8
  - \_ AISI-304 stainless steel cartridge
- Surface treatment:
  - \_ Surface blasting up to degree SA 2 1/2
  - \_ Epoxy-polyester powder coating
- Maximum working pressure: 10 bar (Ask STF-Filtros for other working pressures availability)

Note: Other non-standard specifications on demand.



Note: Values for 4 mm cartridge.

## L pattern strainers



Model	Connection	Filtering surface (cm <sup>2</sup> )	Dimensions (mm)					Weight (kg.)
			A	B	L	D	H	
FCL-2	2" Thread	585	138	272	138	165	155	8
FCL-3	3" Flange	790	164	352	192	165	207	13
FCL-4	4" Flange	1.015	164	409	196	165	264	15
FCL-5	5" Flange	1.490	164	522	265	165	377	18
FCL-6	6" Flange	1.540	200	473	250	220	329	26
FCL-8	8" Flange	2.690	250	590	300	323	419	48

Note: Values for 4 mm cartridge.

Note: Other models available on demand.

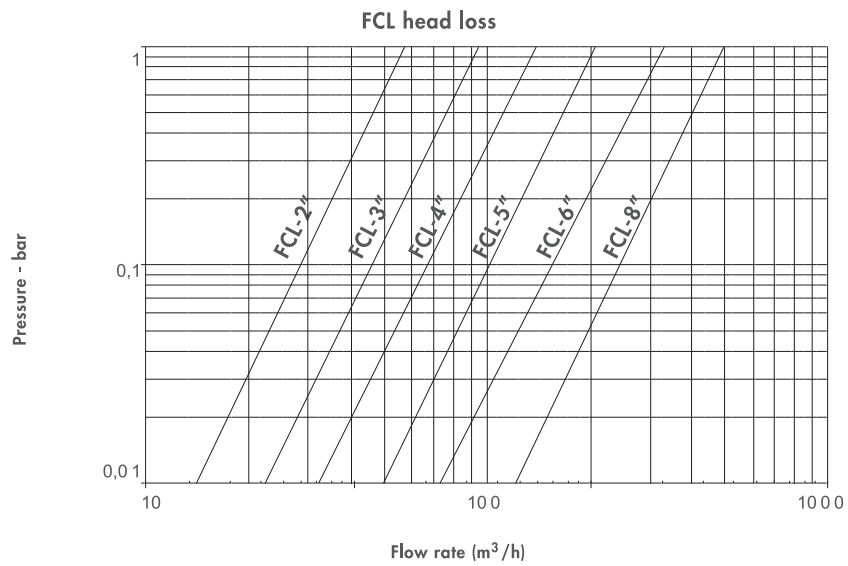


### Standard technical data

- Manufacturing materials:
  - \_ Carbon steel housing
  - \_ Joints and bolts bichromate quality 5.6 and 5.8
  - \_ AISI-304 stainless steel cartridge
- Surface treatment:
  - \_ Surface blasting up to degree SA 2 1/2
  - \_ Epoxy-polyester powder coating
- Maximum working pressure: 10/16 bar (Ask STF-Filtros for other working pressures availability)

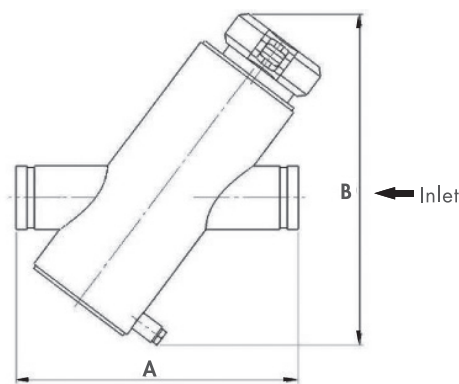
Note: Other non-standard specifications on demand.

## L pattern strainers head loss

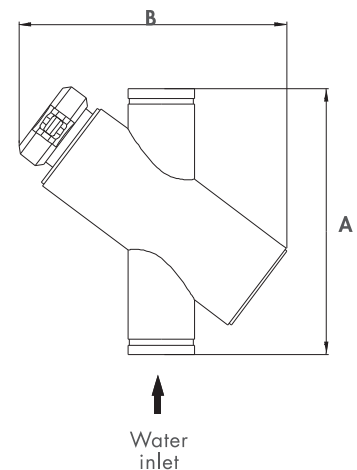


Note: Values for 4 mm cartridge.

## X pattern strainers



Horizontal



Vertical

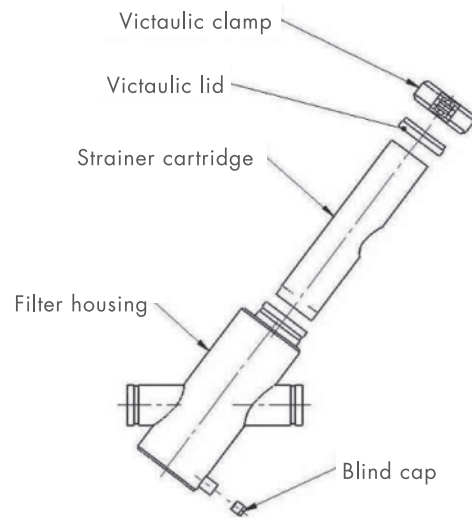
Model	Dimensions (mm)		Filtering surface (cm <sup>2</sup> )	Weight (kg.)
	A	B		
FX-2"	402	470	1.380	17
FX-3"	402	470	1.380	20
FX-4"	454	470	1.380	24
FX-6"	680	629	2.750	30
FX-8"	890	792	4.850	55
FX-10"	900	792	4.850	60

Note: Other models available on demand.

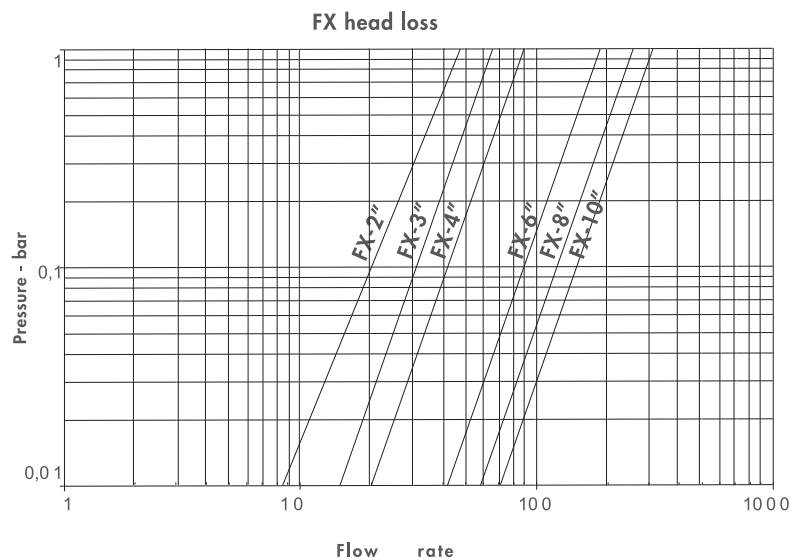
## Standard technical data

- Manufacturing materials:
  - \_ Carbon steel housing
  - \_ Joints and bolts bichromate quality 5.6 and 5.8
  - \_ AISI-304 stainless steel cartridge. 3mm
- Surface treatment:
  - \_ Surface blasting up to degree SA 2 1/2
  - \_ Epoxy-polyester powder coating
- Maximum working pressure: 10/16 bar (Ask STF-Filtros for other working pressures availability)
- Flange connection under request

Note: Other non-standard specifications on demand.

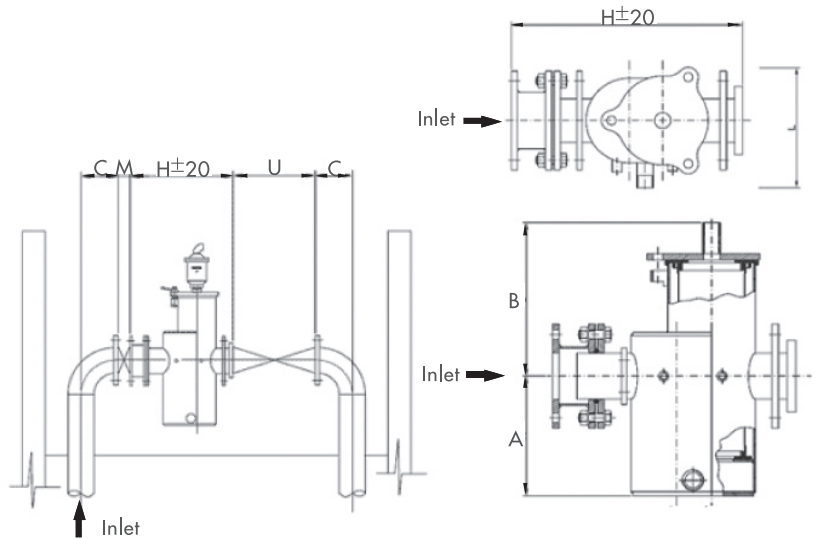


## X pattern strainers head loss



Note: Values for 3 mm filtration degree.

# Self-dismantling strainers

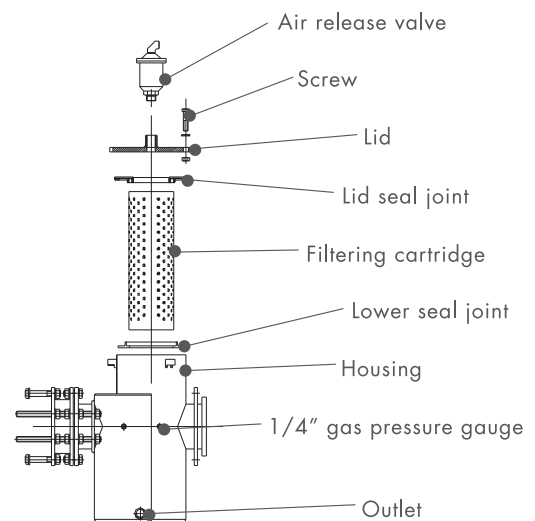


Model	Dimensions (mm)				Flow rate (m <sup>3</sup> /h)	Filtering surface (cm <sup>2</sup> )	Weight (kg.)
	H	L	A	B			
FCADM 2"	457	243	230	235	20	1.498	32
FCADM 3"	457	243	230	235	24	1.498	33
FCADM 4"	457	243	300	347	48	2.004	36
FCADM 6"	560	330	357	323	66	2.181	61
FCADM 8"	733	423	360	336	90	2.656	95

- AISI 304 stainless steel cartridge with 2 mm coarse screen.

Model	Dimensions (mm)			
	C	M	H	U
FCADM 2"	86	43	457	220
FCADM 3"	124	46	457	290
FCADM 4"	162	52	457	360
FCADM 6"	238	56	560	550
FCADM 8"	315	60	733	600

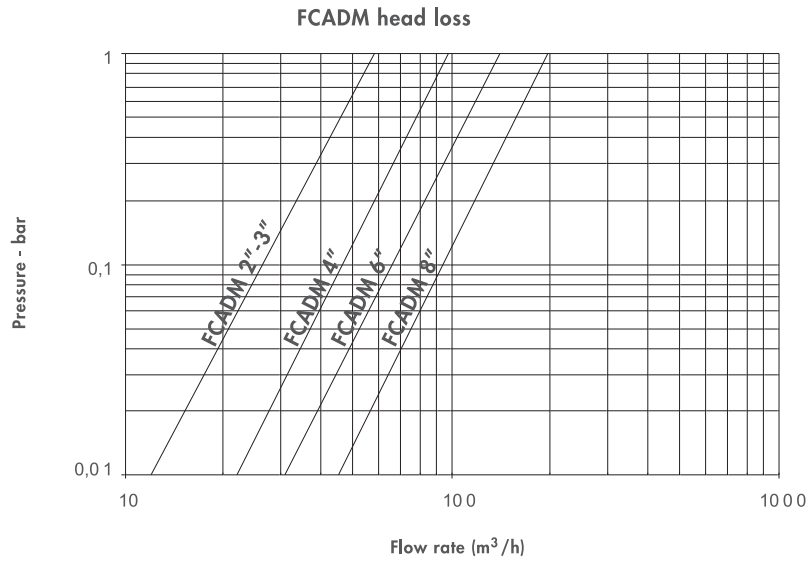
Note: M and U measures may vary depending on the valves.



Note: Ask STF-Filtros for other sizes availability. The air valve, the air release valve and the pressure gauges are included.



## Self-dismantling strainers head loss



Note: Values for 2 mm cartridge.

## Standard technical data

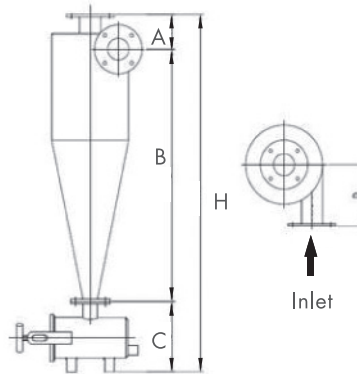
- Manufacturing materials:
  - \_ Carbon steel housing
  - \_ Joints and bolts bichromate quality 5.6 and 5.8
  - \_ AISI-304 stainless steel cartridge
- Surface treatment:
  - \_ Surface blasting up to degree SA 2 1/2
  - \_ Epoxy-polyester powder coating
- Maximum working pressure: 10/16 bar (Ask STF-Filtros for other working pressures availability)

Note: Other non-standard specifications on demand.



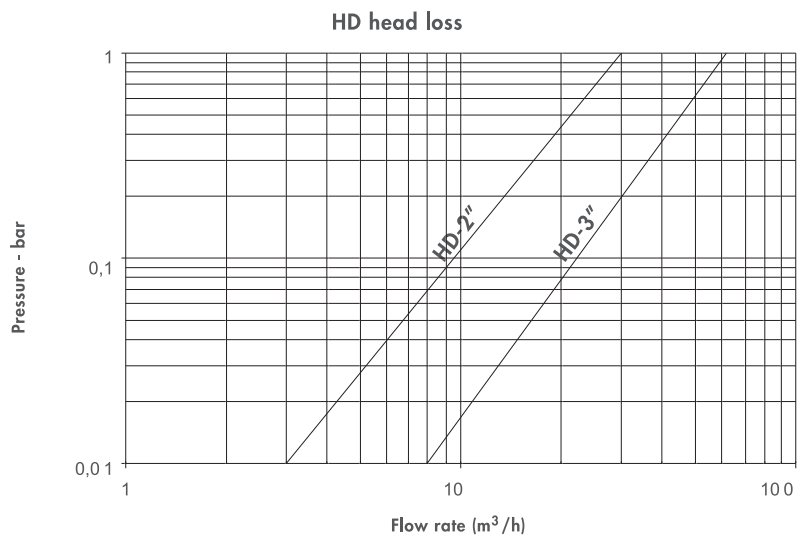


# HYDROCYCLONS



Model	Connection	Flow rate (m <sup>3</sup> /h)	Dimensions (mm)					Weight (kg.)
			A	B	C	D	H	
HD-2	Thread 2"	25	141	700	285	250	1126	33
HD-3	Flange 3"	50	141	1025	285	250	1451	55

## Hydrocyclons head loss



## Standard technical data

- Manufacturing materials:
  - \_ Carbon steel housing
  - \_ Joints and bolts bichromate quality 5.6 and 5.8
- Surface treatment:
  - \_ Surface blasting up to degree SA 2 1/2
  - \_ Epoxy-polyester powder coating
- Maximum working pressure: 8 bar (Ask STF-Filtros for other working pressures availability)

Note: Other non-standard specifications on demand.

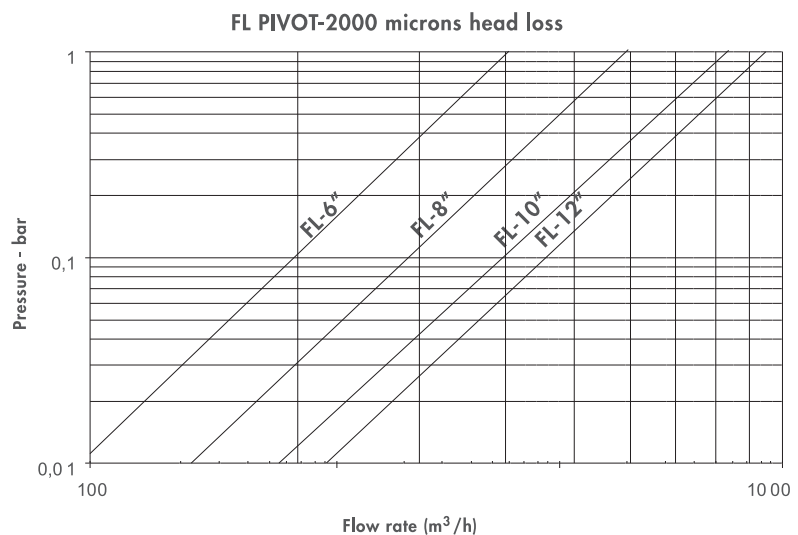
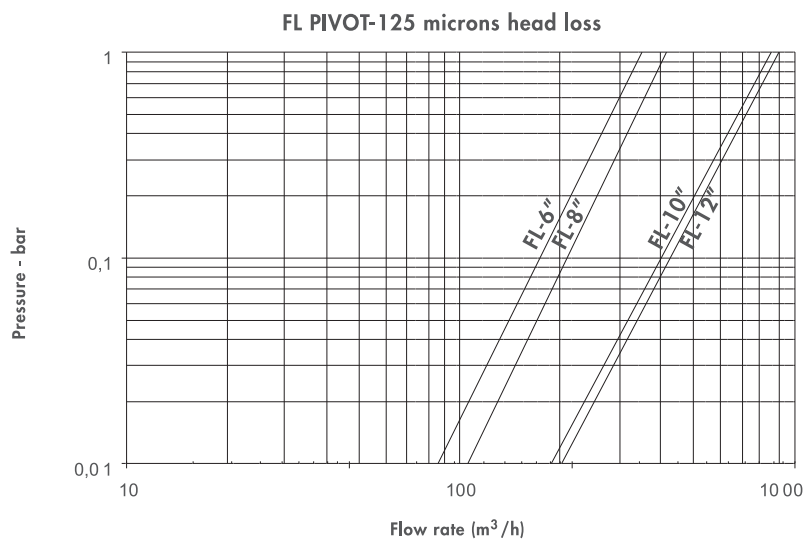
# PIVOT FILTER



Model	Connection	Filtering surface (cm <sup>2</sup> )	PVC & disc cartridge flow rate (m <sup>3</sup> /h)	St. Steel cartridge flow rate (m <sup>3</sup> /h)	Dimensions (mm)						Type	Weight (kg.)
					C	L	D	H	A	B		
FL-6	6" Flange	8526	235	280	265	1415	323	1494	1690	465	C	93
FL-8	8" Flange	11333	280	335	265	1640	323	1744	1940	465		110
FL-10	10" Flange	15608	425	510	300	1610	406	1683	1934	505		175
FL-12	12" Flange	17954	500	600	300	1800	406	1958	2257	505		198

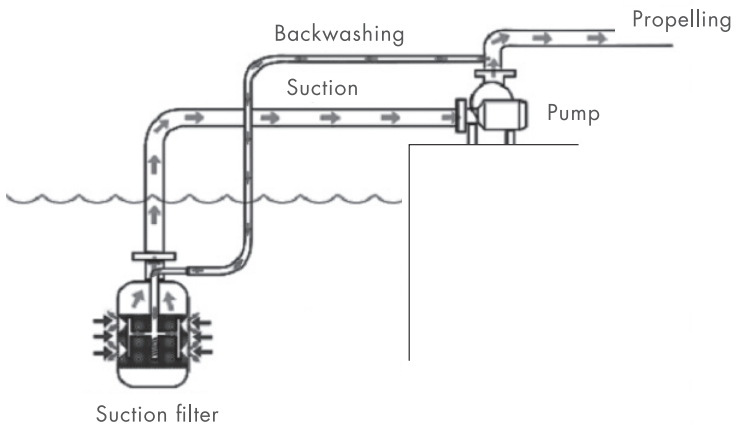
- AISI 304 stainless steel cartridge with a 2 mm coarse screen
- PVC cartridge with molded plastic tube that supports a stainless steel screen for filtration degrees up to 125 microns.

## Pivot filter head loss



Note: Ask STF-Filtros for other sizes availability

# SELF-CLEANING SUCTION STRAINERS



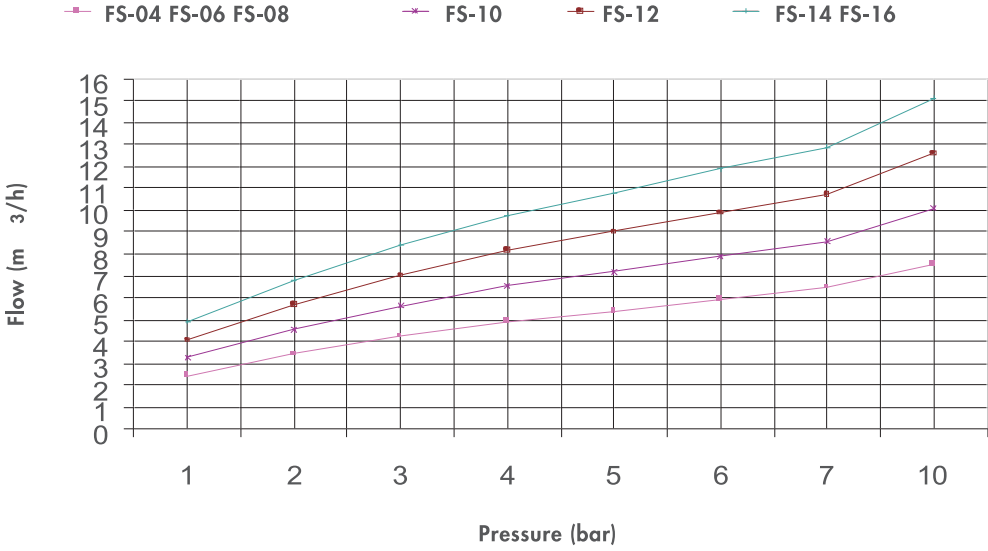
Model	ØDN (mm)	ØD (mm)	H (mm)	Max flow rate (m <sup>3</sup> /h)	Weight (Kg.)
FS-04	100	400	700	100	25
FS-06	150	500	800	230	35
FS-08	200	500	970	380	45
FS-10	250	600	1040	550	60
FS-12	300	600	1240	750	70
FS-14	350	900	1340	1000	120
FS-16	400	900	1340	1200	160

Note: Maximum flow is based on 2500 microns filtration degree.

Note: Other models available on demand.

## Water consumption

Head losses chart



# SPARE PARTS

## FMA spare parts



FMA nozzle

FMA 1000 spare parts	Code
PRESSURE SWITCH	
FMA-1000 HYDRAULIC CYLINDER SEAL JOINTS	CJCH1000
FMA-1002-1003 LID O-RING	1000.021
FMA-1004-1006 LID O-RING	1000.022
FMA-1002 PVC CARTRIDGE	1000.055
FMA-1003 PVC CARTRIDGE	1000.056
FMA-1004 PVC CARTRIDGE	1000.057
FMA-1006 PVC CARTRIDGE	1000.058
NOZZLE WITH BRUSH AND NUT	1000.042-044
12V LATCH SOLENOID	1000.075
CALIBRATED ORIFICE	1000.002

FMA 1000 E spare parts	Code
FMA-1002-E PVC/ STAINLESS STEEL CARTRIDGE	1000-E-054 / 055
FMA-1003-E / PVC/ STAINLESS STEEL CARTRIDGE	1000-E-056 / 057
FMA-1004-E / PVC/ STAINLESS STEEL CARTRIDGE	1000-E-058 / 059
FMA-1006-E / PVC/ STAINLESS STEEL CARTRIDGE	1000-E-060 / 061
LIMIT SWITCH	1000-E-011
RIM SEAL JOINTS	1000-E-CICF
FMA-1002-3 / 1004-6 LID SEAL JOINT	1000-E-031/032
FMA-1002-3 / 1004-6 CENTERING SEAL JOINT	1000-E-070/071
NOZZLE WITH BRUSH AND NUT	1000-E-047-049
H SEAL JOINT	1000-E-035
SOLENOID	1000-E-083

FMA 2000/9000/10000 spare parts	Code
FMA 2003 PVC CARTRIDGE	2000.112
FMA 2004 PVC CARTRIDGE	2000.114
FMA 2006 PVC CARTRIDGE	2000.116
FMA 2008 PVC CARTRIDGE	2000.118
FMA 2010 PVC CARTRIDGE	2000.120
FMA 2012 PVC CARTRIDGE	2000.122
FMA 2014 PVC CARTRIDGE	2000.124
FMA 2003 ST.STEEL CARTRIDGE	2000.113
FMA 2004 ST.STEEL CARTRIDGE	2000.115
FMA 2006 ST.STEEL CARTRIDGE	2000.117
FMA 2008 ST.STEEL CARTRIDGE	2000.119
FMA 2010 ST.STEEL CARTRIDGE	2000.121
FMA 2012 ST.STEEL CARTRIDGE	2000.123
FMA 2014 ST.STEEL CARTRIDGE	2000.125
NOZZLE WITH BRUSH AND NUT	2000.077
FMA 2012 - FMA 2014 NOZZLE EXTENSION	2000.079
FMA 2003-2004-2006-2008-2010 LID O-RING	2000.061
FMA 2012-2014 LID O-RING	2000.062
RIM WATERTIGHTNESS SEAL JOINTS	CJCE
H SEAL JOINT	2000.105
FMA 2003-2004-2006-2008-2010 CENTERING DISC SEAL JOINT	2000.102
FMA 2012-2014 CENTERING DISC SEAL JOINT	2000.103
FMA 2003-2004-2006-2008-2010 WATERTIGHTNESS DISC SEAL JOINT	2000.132
FMA 2012-2014 WATERTIGHTNESS DISC SEAL JOINT	2000.133
LIMIT SWITCH	2000.015

<b>FMA 3000 spare parts</b>	<b>Code</b>
HYDRAULIC CYLINDER SEAL JOINTS	3000CJCH
LID O-RING	3000.009
FMA-3004 PVC CARTRIDGE	3000.018
FMA-3006 PVC CARTRIDGE	3000.019
FMA-3008 PVC CARTRIDGE	3000.020
FMA-3010 PVC CARTRIDGE	3000.021
PREFILTRATION CARTRIDGE SEAL JOINT	3000.010
FILTERING CARTRIDGE SEAL JOINT	3000.017
NOZZLE WITH BRUSH AND NUT	3000.044
SOLENOID	3000.071/072

## Sand filter spare parts



Collector arm

<b>Sand filter spare parts</b>	<b>Code</b>
FAB 500 TUBE AND ARMS SET	CEF500
FAB 700 TUBE AND ARMS SET	CEF700
FAB 950 TUBE AND ARMS SET	CEF950
FAB 1200 TUBE AND ARMS SET	CEF1200
FAB 500 ARMS SUPPORT TUBE	TPB500
FAB 700 ARMS SUPPORT TUBE	TPB700
FAB 950 ARMS SUPPORT TUBE	TPB950
FAB 1200 ARMS SUPPORT TUBE	TPB1200
L=225 COLLECTOR ARM	BC-225
L=160 COLLECTOR ARM	BC-160
L=110 COLLECTOR ARM	BC-110
SAND (KGS)	AR
SAND FILTER INLET SEAL JOINT	JL-165
L=100 COLLECTOR ARM EXTENSION	AB-100
COLLECTOR ARM NUT	TUB
NOZZLE WITH NUT	CCT

## Disc filter spare parts

<b>Disc filter spare parts</b>	<b>Code</b>
MANUAL FILTER FAN-MAN-2"NM CARTRIDGE	CAMAN2NM
MANUAL FILTER FAN-MAN-2"SP CARTRIDGE	CAMAN2SP
MANUAL FILTER FAN-MAN-3" CARTRIDGE	CAMAN3
AUTOMATIC FILTER FAN-AUTO-2" CARTRIDGE	CAAUT2
AUTOMATIC FILTER FAN-AUTO-3" CARTRIDGE	CAAUT3

## Steel filter spare parts



Stainless steel cartridge

Steel filter spare parts	Code
FY/FL-2 PVC CARTRIDGE	CFM-2
FY/FL-3 PVC CARTRIDGE	CFM-3
FY/FL-4-165 PVC CARTRIDGE	CFM-4-165
FY/FL-4-220 - FY/FL-5 PVC CARTRIDGE	CFM-4-220
FY-6 PVC CARTRIDGE	CFM-6
FY-8 PVC CARTRIDGE	CFM-8
FY-10 PVC CARTRIDGE	CFM-10
FY-12 PVC CARTRIDGE	CFM-12
FL-6 PVC CARTRIDGE	CFMFHL-6
FL-8 PVC CARTRIDGE	CFMFHL-8
FL-10 PVC CARTRIDGE	CFMFHL-10
FL-12 PVC CARTRIDGE	CFMFHL-12
FY-2-CIC PVC CARTRIDGE	CFM-FY-2-CIC
FY-3-CIC PVC CARTRIDGE	CFM-FY-3-CIC
FY-4-CIC PVC CARTRIDGE	CFM-FY-4-CIC
FY-5-CIC PVC CARTRIDGE	CFM-FY-5-CIC
FY-6-CIC PVC CARTRIDGE	CFM-FY-6-CIC
FY/FL-2 STAINLESS STEEL CARTRIDGE	CFASP-2
FY/FL-3 STAINLESS STEEL CARTRIDGE	CFASP-3
FY/FL-4-165 STAINLESS STEEL CARTRIDGE	CFASP-4-165
FY/FL-4-220 - FY/FL-5 STAINLESS STEEL CARTRIDGE	CFASP-4-220
FY-6 STAINLESS STEEL CARTRIDGE	CFASP-6
FY-8 STAINLESS STEEL CARTRIDGE	CFASP-8
FY-10 STAINLESS STEEL CARTRIDGE	CFASP-10
FY-12 STAINLESS STEEL CARTRIDGE	CFASP-12
FL-6 STAINLESS STEEL CARTRIDGE	CFASPFHL-6
FL-8 STAINLESS STEEL CARTRIDGE	CFASPFHL-8
FL-10 STAINLESS STEEL CARTRIDGE	CFASPFHL-10
FL-12 STAINLESS STEEL CARTRIDGE	CFASPFHL-12
FY-2-CIC STAINLESS STEEL CARTRIDGE	CFASP-FY-2-CIC
FY-3-CIC STAINLESS STEEL CARTRIDGE	CFASP-FY-3-CIC
FY-4-CIC STAINLESS STEEL CARTRIDGE	CFASP-FY-4-CIC
FY-5-CIC STAINLESS STEEL CARTRIDGE	CFASP-FY-5-CIC
FY-6-CIC STAINLESS STEEL CARTRIDGE	CFASP-FY-6-CIC
FY/FL-2 DISC CARTRIDGE	CFA-2
FY/FL-3 DISC CARTRIDGE	CFA-3
FY/FL-4-165 DISC CARTRIDGE	CFA-4-165

Note: PVC cartridge with 125 microns standard screen  
 STAINLESS STEEL cartridge with 2 mm standard screen  
 130 microns standard screen disc cartridge



## Strainer spare parts

Strainer spare parts	Code
STRAINER FILTER FCY/FCL-2 CARTRIDGE	CFFC-2
STRAINER FILTER FCY/FCL-3 CARTRIDGE	CFFC-3
STRAINER FILTER FCY/FCL-4 CARTRIDGE	CFFC-4
STRAINER FILTER FCY/FCL-5 CARTRIDGE	CFFC-5
STRAINER FILTER FCY/FCL-6 CARTRIDGE	CFFC-6
STRAINER FILTER FCY/FCL-8 CARTRIDGE	CFFC-8
STRAINER FILTER FCY-10 CARTRIDGE	CFFC-10
STRAINER FILTER FCY-12 CARTRIDGE	CFFC-12
STRAINER FILTER FCY-14 CARTRIDGE	CFFC-14
STRAINER FILTER FCY-16 CARTRIDGE	CFFC-16
STRAINER FILTER FCY-20 CARTRIDGE	CFFC-20
STRAINER FILTER FCADM-2 CARTRIDGE	CFFCADM-2
STRAINER FILTER FCADM-3 CARTRIDGE	CFFCADM-3
STRAINER FILTER FCADM-4 CARTRIDGE	CFFCADM-4
STRAINER FILTER FCADM-6 CARTRIDGE	CFFCADM-6
STRAINER FILTER FCADM-8 CARTRIDGE	CFFCADM-8
STRAINER FILTER FCX-2 CARTRIDGE	CFFCX-2
STRAINER FILTER FCX-3 CARTRIDGE	CFFCX-3
STRAINER FILTER FCX-4 CARTRIDGE	CFFCX-4
STRAINER FILTER FCX-6 CARTRIDGE	CFFCX-6
STRAINER FILTER FCX-8 CARTRIDGE	CFFCX-8
STRAINER FILTER FCX-10 CARTRIDGE	CFFCX-10

Note: 4 mm standard strainer cartridge



## Seal joint spare parts

Lower seal joints	Y pattern strainer FY	Cyclonic effect Y pattern strainer FY-CIC	L pattern strainer FL	Y pattern strainer FCY	L pattern strainer FCL	Self-dismantling strainers
JT-165	FY2 - FY3 - FY4-165	FY2-CIC - FY3-CIC	FL2 - FL3 - FL4-165	FCY2 - FCY3 FCY4 FCY5	FCL2 - FCL3 FCL4 FCL5	FCADM-2 - FCADM-3 - FCADM-4
JT-220	FY4-220 - FY5	FY4-CIC - FY5-CIC	FL4-220 - FL5	FCY6	FCL6	FCADM-6
JT-323	FY6		FL6 - FL8	FCY8	FCL8	FCADM-8
JTórica-312	FY8 - FY10		FL10 - FL12			
JT-457	FY12			FCY10 - FCY12 - FCY14	FCL10 - FCL12 - FCL14	

Lid seal joints	Y pattern strainer FY	Cyclonic effect Y pattern strainer FY-CIC	L pattern strainer FL	Y pattern strainer FCY	L pattern strainer FCL	Self-dismantling strainers
JF-165	FY2 - FY3 - FY4-165		FL2 - FL3 - FL4-165	FCY2 - FCY3 FCY4 FCY5	FCL2 - FCL3 FCL4 FCL5	FCADM-2 - FCADM-3 - FCADM-4
JFCIC-165		FY2-CIC - FY3-CIC				
JFCIC-220		FY4-CIC - FY5-CIC	FL4-220 - FL5			
JF-220	FY4-220 - FY5			FCY6	FCL6	FCADM-6
JF-323	FY6		FL6 - FL8	FCY8	FCL8	FCADM-8
JU-333	FY8 - FY10		FL10 - FL12			
JF-457	FY12			FCY10 - FCY12 - FCY14	FCL10 - FCL12 - FCL14	

## Other spare parts



FMA air release valve    Manometer

Sand Filters backwashing valve	Code
2" x 2" VICTAULIC BASIC VALVE	VB2X2P
3" x 3" VICTAULIC BASIC VALVE	VB3X3P
4" x 3" VICTAULIC BASIC VALVE	VB4X4P
ELECTROVALVE 2" x 2" VICTAULIC 24V AC 50 Hz	EV2X2P
ELECTROVALVE 3" x 3" VICTAULIC 24V AC 50 Hz	EV3X3P
ELECTROVALVE 4" x 3" VICTAULIC 24V AC 50 Hz	EV4X4P

Air release valve spare parts	Code
1" FMA AIR RELEASE VALVE	2000.060
1" HYDRANT AIR RELEASE VALVE	V1H

Pressure gauges spare parts	Code
0-10 BAR GLYCERINE PRESSURE GAUGE	2000.50
0-16 BAR GLYCERIN PRESSURE GAUGE	2000.50

Collectors and links spare parts	Code
FY/FL WING SCREW	PC
FY/FL AXLE PLUG	TC
DN80 BLIND LID WITH H-1" SLEEVE	TCM-3
DN100 BLIND LID WITH H-1" SLEEVE	TCM-4
DN125 BLIND LID WITH H-1" SLEEVE	TCM-5
DN150 BLIND LID WITH H-1" SLEEVE	TCM-6
DN200 BLIND LID WITH H-1" SLEEVE	TCM-8
DN80 BLIND LID	TC-3
DN100 BLIND LID	TC-4
DN125 BLIND LID	TC-5
DN150 BLIND LID	TC-6
DN200 BLIND LID	TC-8
2" VICTAULIC COUPLING	VIC-2
3" VICTAULIC COUPLING	VIC-3
4" VICTAULIC COUPLING	VIC-4
MALE THREAD SLEEVE /VICTAULIC 2"	MV-2
MALE THREAD SLEEVE /VICTAULIC 3"	MV-3
FLANGE SLEEVE/VICTAULIC 2"	BV-2
FLANGE SLEEVE/VICTAULIC 3"	BV-3
FLANGE SLEEVE/VICTAULIC 4"	BV-4
MALE THREAD SLEEVE/FLANGE 2"	MB-2
MALE THREAD SLEEVE/FLANGE 3"	MB-3
3" TUBE SUPPORT LEG	PAT-3
4" TUBE SUPPORT LEG	PAT-4
5" TUBE SUPPORT LEG	PAT-5
6" TUBE SUPPORT LEG	PAT-6
8" TUBE SUPPORT LEG	PAT-8

## Automatism spare parts



Wika pressure switch



Dual Snap pressure switch



Control 10 programmer



CPF-01 programmer

Automatism spare parts	Code
FMA2000 220V PROGRAMMER 1	2000.001
FMA2000 12V PROGRAMMER 1	2000.007
FMA200 220V PROGRAMMER 2-4	2000.002
FMA200 12V PROGRAMMER 2-4	2000.003
FMA200 12V PROGRAMMER 10	1000.077
FMA1000 - FMA 3000 WITH BATTERIES PROGRAMMER 1	1000.018
FMA1000 - FMA 3000 WITH BATTERIES PROGRAMMER 2-3	STF-1003
SAND FILTER OR DISK WITH BATTERIES PROGRAMMER 6	STF-06-P
SAND FILTER OR DISK 220V PROGRAMMER 6	STF-06-220V
SAND FILTER OR DISK 12V PROGRAMMER 6	STF-06-12V
SAND FILTER OR DISK 220V PROGRAMMER 12	STF-12-220
SAND FILTER OR DISK 12V PROGRAMMER 12	STF-12-12V
SAND FILTER OR DISK 220V PROGRAMMER 18	STF-18-220V
SAND FILTER OR DISK 12V PROGRAMMER 18	STF-18-12V

FMA 2000 solar kit	Code
FMA-2000 SOLAR KIT 1	KS12000
FMA-2000 SOLAR KIT 2	KS22000
FMA-2000 SOLAR KIT 3	KS32000

Note: The solar kit includes photovoltaic panel, support, battery, charge controller. Price increase due to the electrical panel and the 12 V motor.

Sand – discs solar kit	Code
2-4 VALVES SOLAR KIT	KSA4
5-7 VALVES SOLAR KIT	KSA7
8-10 VALVES SOLAR KIT	KSA10

Note: The solar kit includes photovoltaic panel, support, battery, charge controller and 12 v latch solenoids.

Pressure switches	Code
CAS-155 PRESSURE SWITCH	PRESCAS
WIKA PRESSURE SWITCH	PRESWI
DUAL SNAP PRESSURE SWITCH	PRESDUAL
0-10 PRESSURE TRANSDUCER	2000.068

# STF

FILTROS

Polígono La Armentera . Parcela 87  
22400 MONZON . Huesca (Spain)  
Tel: (+34) 974 401 933  
Fax: (+34) 974 417 809  
info@stf-filtros.com  
[www.stf-filtros.com](http://www.stf-filtros.com)



SYSTEMA DE CALIDAD CERTIFICADO  
SEGUN NORMA ISO 9001

